

INSTALLATION INSTRUCTIONS

Item#4673-111(New.1/11/2018)

READ AND SAVE THESE INSTRUCTIONS

WARNING! SHUT POWER OFF AT FUSE OR CIRCUIT BREAKER.

AVERTISSEMENT! COUPER LE COURANT AU NIVEAU DES FUSIBLES OU DU DISJONCTEUR.

HANGING THE FIXTURE (Fig. 1)

1. Carefully remove the fixture from the carton and check that all parts are included as shown in the illustration.
2. Shut off power at the circuit breaker and remove old fixture including the mounting hardware.
3. Determine the desired hanging height and thread rods (G ,H,) to the nipple of the fixture body(K). Then attach loop (L) by screwing in to rod (G).
4. Attach the quick link to loop (L) on the canopy (E), carefully feed the wire over loop (L) and the canopy(E)
5. The mounting bracket (B) contains several pairs of threaded holes, find the pair of holes that match the holes spacing in your Junction box Attach the mounting bracket (D) to the Junction Box(J) using the two mounting screws(size:8/32* 25mm). Tighten the screws (C) securely with screwdriver. The side of the mounting plate marked "GND" must face out.
6. The support cable is provided to support the weight of the fixture while wiring. Align the fixture to mounting bracket (B) and attach hook (M) on the end of support cable into a slot located on mounting bracket (B). Carefully allow the support cable to support the weight of the fixture while wiring

CONNECTING THE WIRES (Fig. 2)

7. At this point, connect the electrical wires as shown in (Fig.2), Make sure that all wire connections are secured. If your outlet has a ground wire (green or bare copper), connect the fixtures Ground Wire to it. Otherwise, connect the fixture Ground Wire directly to the circular strap using the Green Screw provided.
8. Position the canopy (E) so that the mounting screws(D) protruding from mounting bracket line up with the holes in the canopy. Secure canopy in place with provided mounting screws (F)
9. Cover all the lampholders with the candle covers (N) .

INSTALL LIGHT BULB (Fig. 1)

10. Install light bulb (I) (excluded) in accordance with the fixture's specifications. **(DO NOT EXCEED THE MAXIMUM WATTAGE RATING!!) (NE PAS DEPASSER LA PUISSANCE NOMINALE MAXIMALE!)**

FINISH THE INSTALLATION (Fig. 1)

11. Your installation is complete now. Return power to the junction box and test the fixture. **Note: Illustration (Fig.1) on this manual is for installation purposes only. It may or may not be identical to the fixture purchased.**

Fig.1

- Set #A-010
- Crossbar
- Ground Screw
- Mounting Screw*2
- Rod# W30-H-111*1(G)
W30-1-111*3(H)
- Candle cover#CCV20050P-111(N)

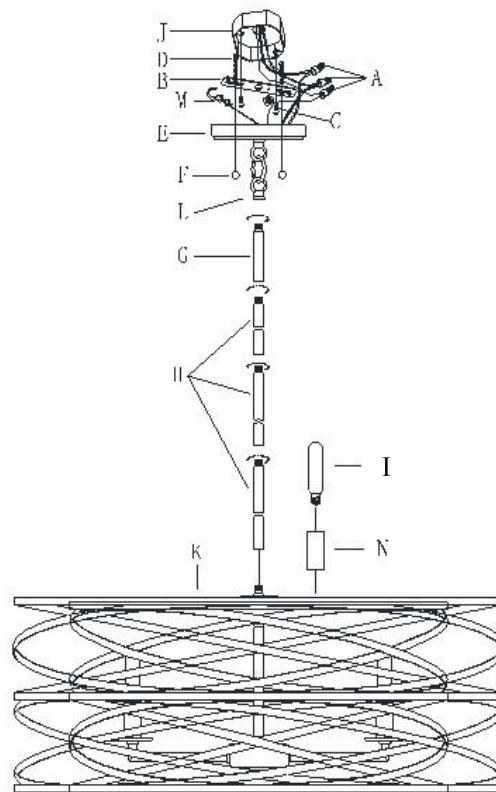


Fig. 2

