

# INSTALLATION INSTRUCTIONS

## FOR P1336-665-L/P1337-665-L

### FOR LED Chandelier/Pendant Light

**WARNING! SHUT POWER OFF AT FUSE OR CIRCUIT BREAKER.**

**AVERTISSEMENT ! COUPER LE COURANT AU NIVEAU DES FUSIBLES OU DO DISJONCTEUR**

#### HANGING THE FIXTURE

1. Carefully remove the fixture from the carton and check that all parts are included as shown in the illustration.
2. Shut off power at the circuit breaker and remove old fixture including the mounting hardware

#### SUGGESTED INSTALLATION (Fig. 1,3)

3. Open the box, the fixture is placed like Fig. 1. Align (I) into (H) and fix using screw (J).
4. Attach the Mounting Plate (B) to the Junction box (A) using screws (C) (Screw Size: 8-32\*1/2"L) as the direction on Fig. 3.
5. Determine length desired and thread Rod (F1,F2) to housing (N), then place the Canopy (G) over the Rods (F1) and connect swivel (D) to Rods (F1). Note: remove the nipple if installing with one 6" rod only.
6. Connect the canopy with the mounting back plate (B) and secure with Mounting screws (E).

#### CONNECTING THE WIRES (Fig. 2,3)

7. Cut the extra wire. Connect the driver input wires (Red and Black) with canopy as shown in Fig.3, making sure that all wires connectors (O) are secured.
8. Connect the driver output wire with fixture wire as shown in Fig.2, making sure that all wire connectors (P) are secured.
9. If your outlet box has a green or bare copper ground wire, connect the fixture's ground wire to it. Otherwise, connect the fixture's ground wire directly to the mounting plate (B) using the green screw provided. After wires are connected, tuck them carefully inside the junction box (A).

#### COMPLETING THE INSTALLATION (Fig. 1)

For slope ceiling application, rotate swivel at the top of the stem to ensure luminaries is aiming down (**Fig. 3**).

Your installation is now complete. Return power to the junction box and test the fixture.

**CAUTION /ATTENTION:** When handling bracket, do not apply pressure to the LEDs. Hold the metal parts.

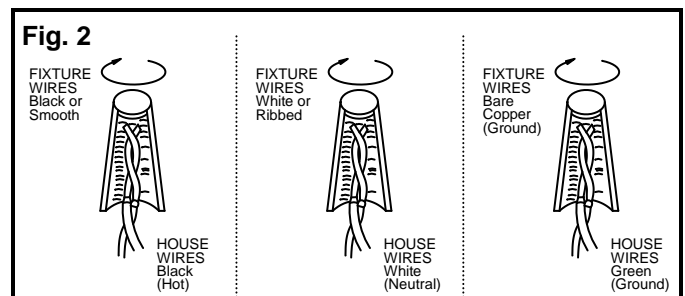
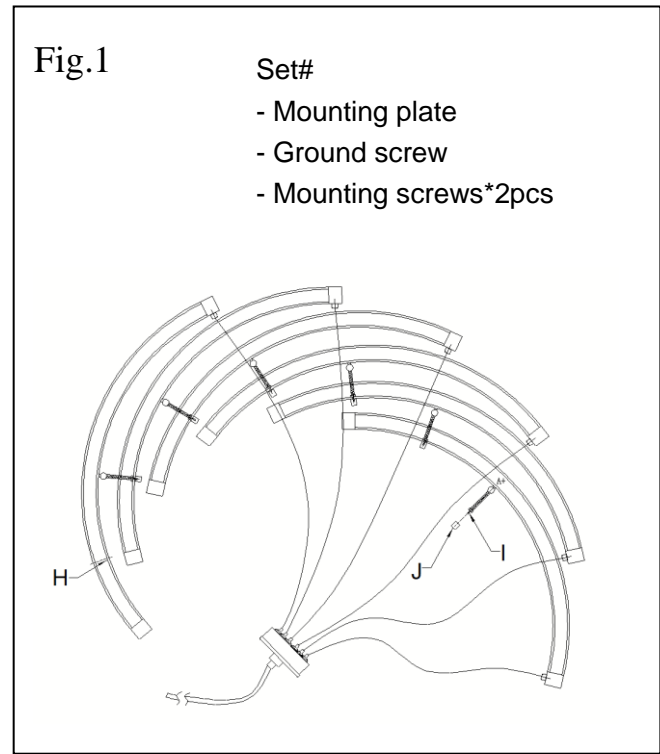
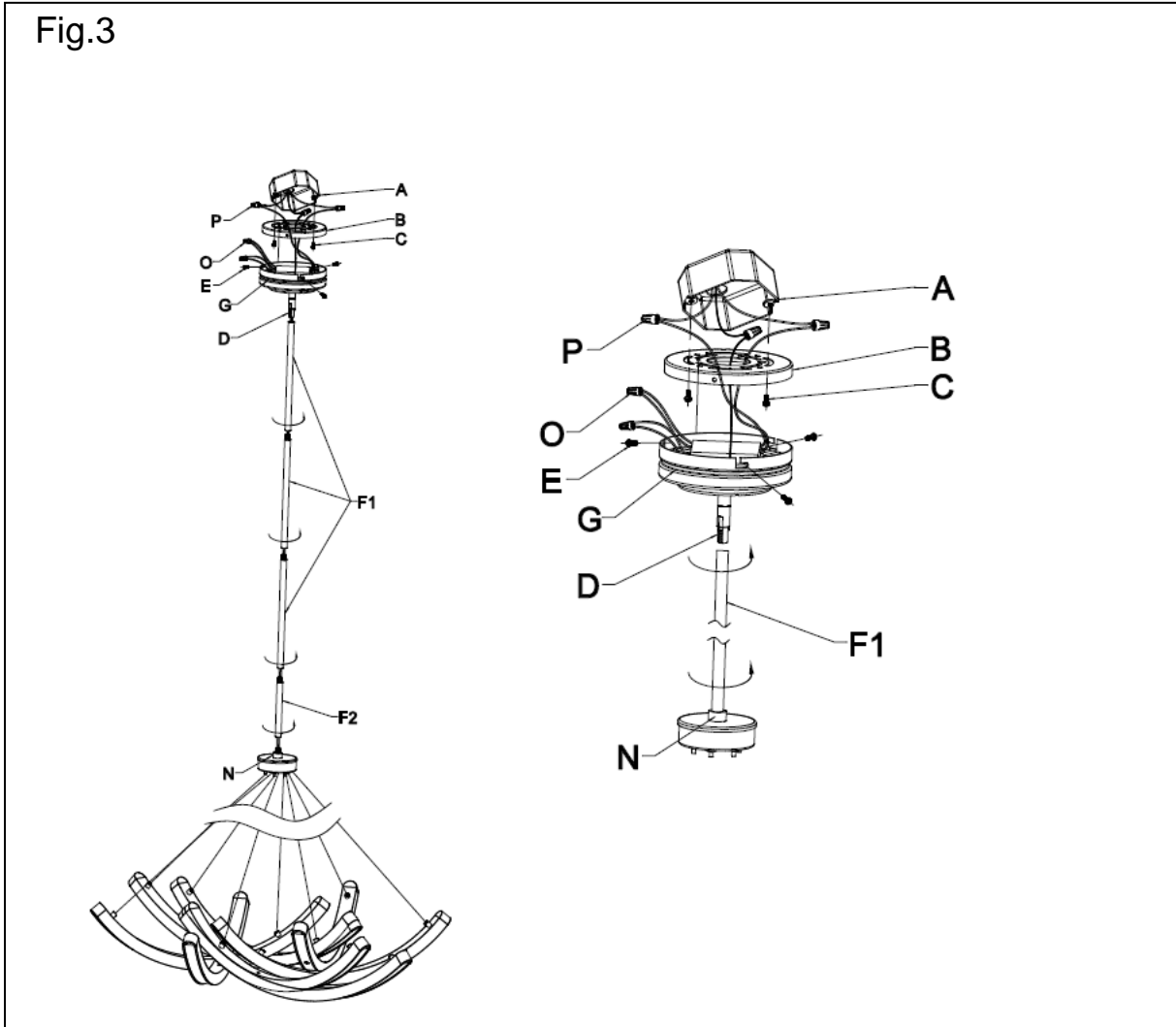


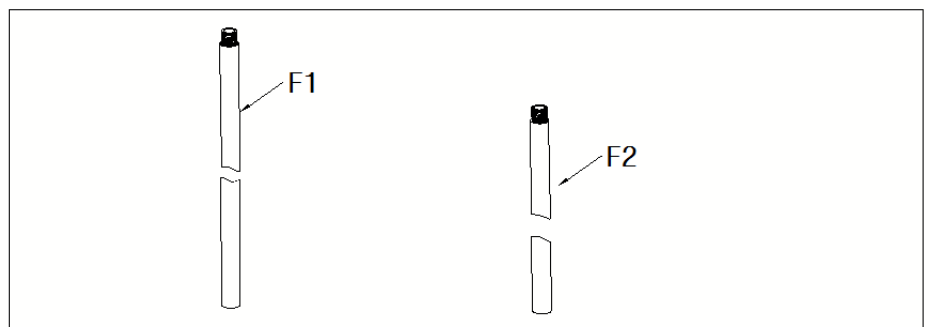
Fig.3



**Hardware Bag:**

F1.Rod 12"\*3

F2.Rod 6"\*1



**IMPORTANT:** Fixture should be installed by a qualified electrician to ensure proper wiring and installation.

Dimmable with ELV and/or LED compatible wall dimmer switches.

