

INSTALLATION INSTRUCTIONS

For Model # P478-077 (05 / 08 / 2012)

WARNING! SHUT POWER OFF AT FUSE OR CIRCUIT BREAKER.
AVERTISSEMENT ! COUPER LE COURANT AU NIVEAU DES FUSIBLES OU DO DISJONCTEUR

WARNING

- Risk of shock, do not plug in the unit before assembly.
- Do not exceed the maximum wattage rating (100W MAX).

MOUNTING THE LUMINAIRE, PLUG VERSION (Fig.1 & Fig.2)

For hardware version see Fig.3 & Fig.4

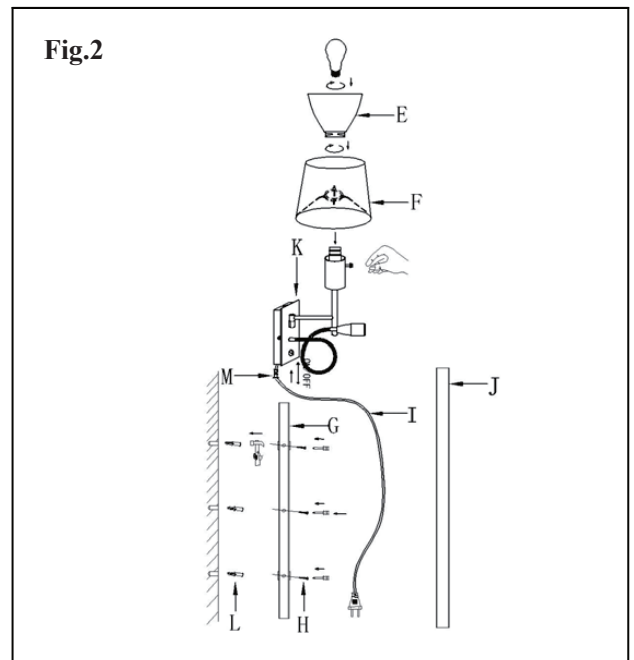
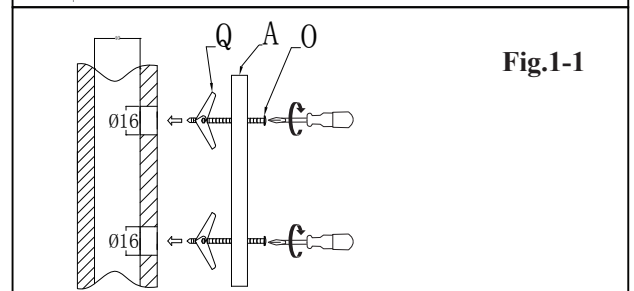
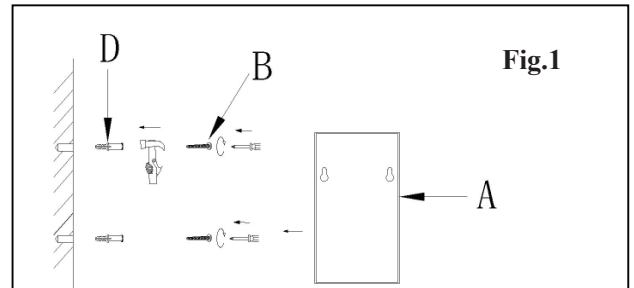
1. Carefully unpack your new fixture and lay out all the parts on a clear area. Take care not to lose any small parts necessary for installation.

Fig.1(FOR SOLID WALL)

2. Drill two (6mm) diameter holes in the proper position on the wall according to the mounting location of the fixture, insert the plastic anchors (D).
3. Secure the mounting plate (A) to wall using the screws (B).

Fig.1-1(FOR HOLLOW WALL)

- 2-1. Drill two (16mm) diameter holes in the proper position on the wall according to the mounting location of the fixture.
- 3-1. Pass crown bolt (O) through the key-hole and the toggle bolt anchor (Q), carefully push the toggle bolt anchor (Q) into the hole. Tighten the mounting wall plate (A) on the wall.
4. Secure the fixture body (K) to mounting plate (A) and using the screws (C) .
5. Place the shade (F) onto the socket, then screw the glass bowl (E) to the socket until tight .
6. Using the bracket (G) as template to mark the positions of the plastic anchors (L), drill (6mm) diameter holes and insert the plastic anchors (L). Install the bracket (G) using screws (H). Align the cord (I) into the bracket (G), then snap the cord cover (J) into the bracket (G) tightly.
7. Install (1) one medium base bulb (100W MAX) into socket in accordance with the fixtures specifications. (DO NOT EXCEED THE MAXIMUM WATTAGE RATING!) (NE PAS DEPASSER LA PUISSANCE NOMINALE MAXIMALE!)



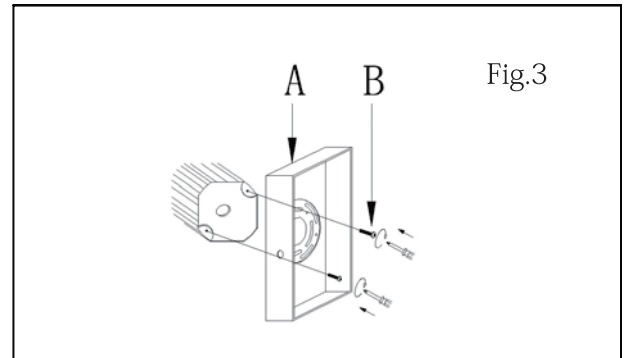
IMPORTANT SAFETY INSTRUCTIONS :

1. This is portable lamp has a polarized plug (one blade is wider than the other) as a safety feature to reduce the risk of electric shock. This plug will fit in a polarized outlet only one way. If the plug does not fit fully in the outlet, reverse the plug. If it still does not fit, contact a qualified electrician. Never use with an extension cord unless plug can be fully inserted. Do not alter the plug.
2. The lamp also uses 1-3W LED and the on/off switch is on the face plate. Do not look directly at LED lamp.

IN AN ONGOING EFFORT TO BE ENVIRONMENTALLY FRIENDLY AND IN COMPLIANCE WITH CALIFORNIA TITLE 20 AN ENERGY SAVING COMPACT LED BULB(S) IS INCLUDED.

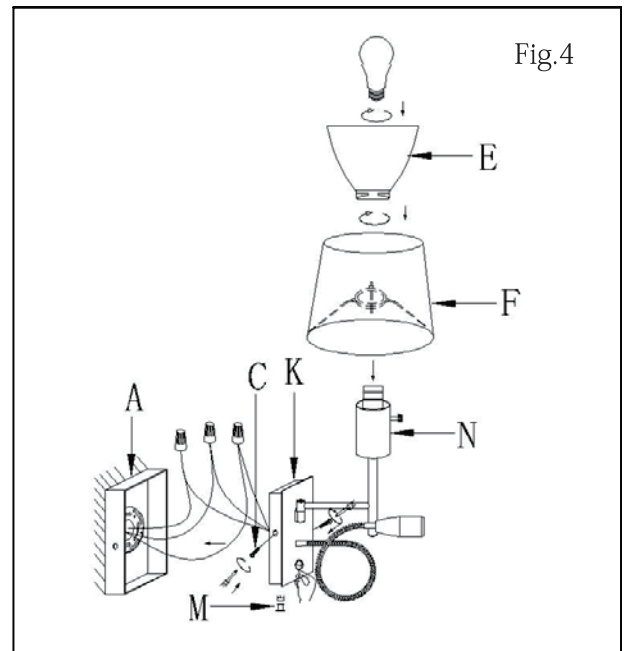
MOUNTING THE FIXTURE HARDWARE VERSION
(Fig.3 & Fig.4)

1. Shut off power at the circuit breaker and remove old fixture from wall, including the crossbar.
2. Remove the cord and plug by disconnecting the wire nuts to the cord. (CAUTION/ATTENTION: CAN NOT GO BACK TO PLUG VERSION ONCE THE CORD AND PLUG ARE CUT OFF)
3. Remove screws (C) from the fixture body(K) to separate mounting plate.
4. Secure the mounting bracket (A) to the outlet box using the screws (B). The side of the mounting bracket marked "GND" must face out (Fig.3).



CONNECTING THE WIRES (Fig. 5)

Connect the electrical wires as shown in Fig.5 making sure that all wire connectors are secured. If your outlet has a ground wire (green or bare copper), connect the fixtures ground wire to it. Otherwise, connect the fixtures ground wire directly to the mounting bracket by using the green screw provided.



FINISHING THE INSTALLATION (Fig. 4)

5. Place fixture body (K) over the mounting bracket (A) then secure them tightly with two screws (C).
6. Insert the filler plug (M) into the hole on the bottom of the fixture body (K).
7. Install (1) one medium base bulb the bulbs into socket in accordance with the fixtures specifications. (DO NOT EXCEED THE MAXIMUM WATTAGE RATING!) **(NE PAS DEPASSER LAPUISSANCE NOMINALE MAXIMALE!)**

Your installation is now complete. Return power to the outlet box and test the fixture.

