

INSTALLATION INSTRUCTION FOR FIXTURE #10252-732,10253-732

WARNING! SHUT POWER OFF AT FUSE OR CIRCUIT BREAKER.
AVERTISSEMENT! COUPER LE COURANT AU NIVEAU DES FUSIBLES OU DU DISJONCTEUR.

MOUNTING THE FIXTURE (FIG. 1)

1. Shut off the power supply at the fuse box or circuit breaker. If necessary, remove the old fixture from wall. Including the mounting hardware.
2. Carefully remove the new fixture from the carton and check that all parts are included as shown in the illustration.
3. Attach mounting plate (B) to outlet box (Not included) using outlet box screws (A). The side of mounting plate marked "GND" must face out.

CONNECTING THE WIRES (FIG. 2)

4. Connect the electrical wires as shown in Fig.2 making sure that all wire connectors are secured. If your outlet box has a ground wire (green or bare copper), connect fixture's ground wire to it. Otherwise, connect fixture's ground wire directly to mounting plate using green screw provided.
5. Tuck wire connections neatly into outlet box.
6. Attach fixture wall plate (C) over mounting plate (B) and secure with screws (D) tightly.
7. Install finial (E) to arm of fixture wall plate (C).
8. Install glass shade (F), glass shade (H) and cushion ring (I) over the socket (G) in order and secure with socket ring (J) using the socket ring tool(L) provided.
9. Install (2) two for 10252 or (3) three for 10253 candelabra base bulb (K) up to 60 watts or CFL or LED equivalent (Not included) in accordance with fixture's specifications. **(DO NOT EXCEED THE MAXIMUM WATTAGE RATING!) (NE PAS DEPASSER LA PUISSANCE NOMINALE MAXIMALE!).**

Your installation is now complete. Return power to the outlet box and test the fixture.

Fig.1

A-022-115122
Mounting Plate * 1
Outlet box Screw * 2
Ground Screw * 1

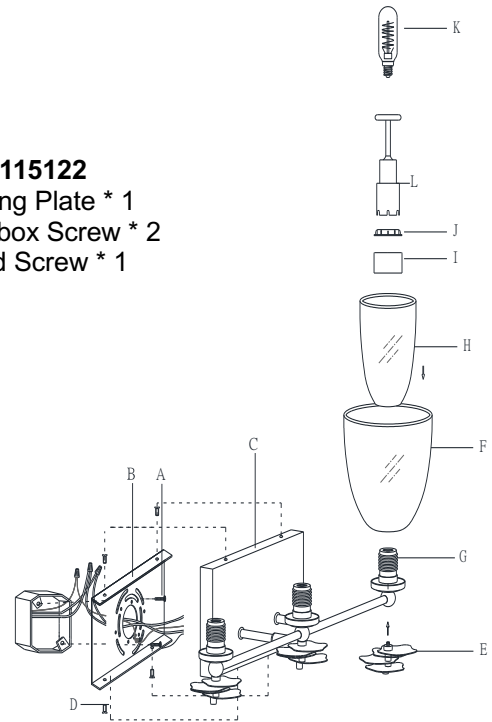
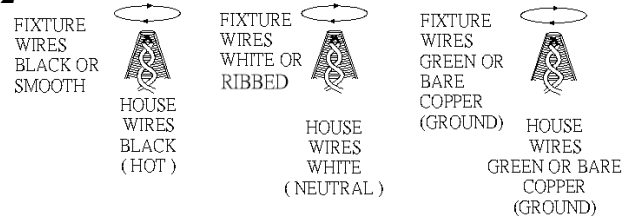


Fig.2



Note: Illustration (Fig. 1) & (Fig.2) on this manual is for installation purposes only. It may or may not be identical to the fixture purchased.



american
lighting
association