

INSTALLATION INSTRUCTION

Item# 10421-732

READ AND SAVE THESE INSTRUCTIONS

WARNING! SHUT POWER OFF AT FUSE OR CIRCUIT BREAKER .
AVERTISSEMENT! COUPER LE COURANT AU NIVEAU DES FUSIBLES OU DU DISJONCTEUR.

PREPARATION

1. Shut off the power at the fuse box or circuit breaker. If necessary, remove the old fixture, including the mounting hardware.
2. Carefully unpack your new fixture and lay out all the parts on a clear area. Take care not to lose any parts necessary for installation.

MOUNTING THE FIXTURE (Fig.1)

3. Secure circular strap (A) to junction box with junction box screws (B) (Size: #8-32*0.6"L). The side of the circular strap (A) marked "GND" must face out.

CONNECTING THE WIRES (Fig. 2)

4. Connect the fixture wires to the junction box wires as shown in Fig. 2. Make sure all wire connectors are secure. If there is no green ground wire from the junction box, connect the fixture ground wire to the circular strap (A) with the green screw provided. Tuck these wire connections neatly into the wall junction box.

COMPLETING THE INSTALLATION

5. Secure mounting back plate (D) to circular strap (A) with mounting screws (C) (Size: #8-32*0.5"L).
6. Install the fabric shade (F) onto the candle sleeve (E).
7. Install (1) one candelabra base bulbs up to 60 watts each or CFL or LED equivalent (not included) in accordance with the fixture specification. **(DO NOT EXCEED THE SPECIFIED WATTAGE!) (NE PAS DEPASSER LA PUISSANCE NOMINALE MAXIMALE!)**

Your installation is now complete. Return the power to the junction box and test the fixture.

Fig.1

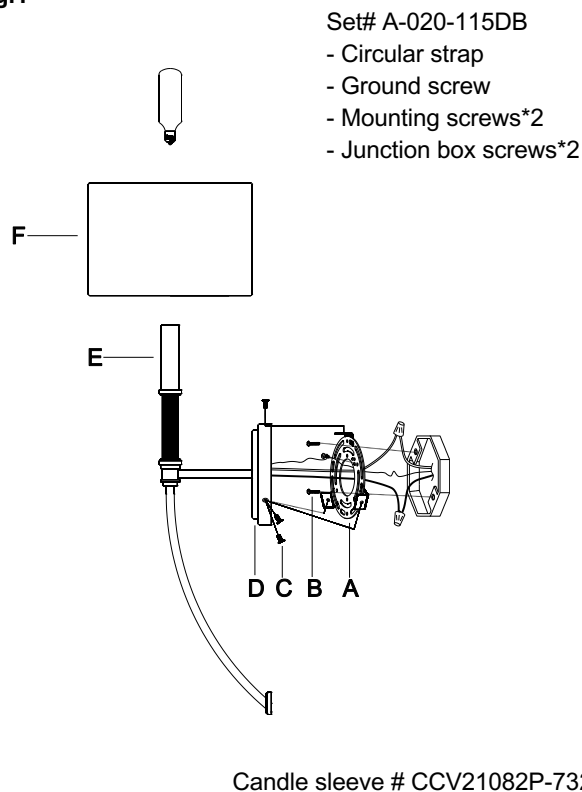


Fig.2

