

INSTALLATION INSTRUCTIONS

Item#1074-84 (Convertible Lamps for Pendant) (New. 2/25/2020)

READ AND SAVE THESE INSTRUCTIONS

WARNING! SHUT POWER OFF AT FUSE OR CIRCUIT BREAKER.

AVERTISSEMENT! COUPER LE COURANT AU NIVEAU DES FUSIBLES OU DU DISJONCTEUR.

PREPARATION (Fig. 1)

1. Shut off the power at the fuse box or circuit breaker. If necessary, remove the old fixture, including the mounting hardware.
2. Carefully unpack your new fixture and lay out all the parts in a clean area. Take care not to misplace any small parts necessary for installation.

ASSEMBLING THE FIXTURE WITH CHAIN LOOP (Fig. 2)

3. Secure the metal tube (Z) into the nipple (I) of the fixture body.
4. Determine the desired hanging height and thread rods (F1, F2 and F3) to the nipple of metal tube (Z). Then attach loop (H1) by screwing in to rod (F1). Pass the wires carefully through each rod as you assemble.
5. Attach the quick link (G) connect to loop (H1) and loop (H2) on the canopy (D), carefully feed the wire over loop (H1), quick link (G) and loop (H2).
6. Thread screws (A) into the pre-drilled holes in the circular strap (B) spaced the same distance apart as the holes in the canopy (D).
7. Attach the circular strap (B) to the Junction box using mounting screws (C) (Size: #8-32N*L0.5"). The side of the circular strap marked "GND" must face out.

CONNECTING THE WIRES (Fig. 3)

8. At this point, connect the electrical wires as shown in figure 3, making sure that all wire connectors are secured. If your outlet has a ground wire (green or bare copper), connect the fixture's ground wire to it. Otherwise, connect the fixture's ground wire directly to the circular strap (B) using the green screw provided.
9. Tuck the wire connectors neatly into the ceiling Junction Box and then raise the canopy (D) all the way to the ceiling.

COMPLETING THE INSTALLATION (Fig. 1)

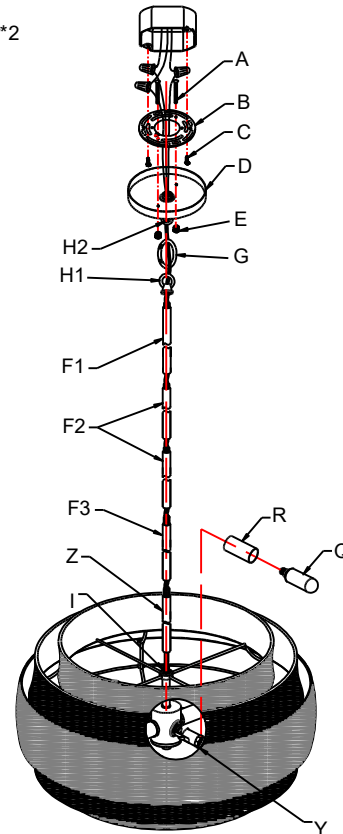
10. Thread canopy (D) into screws (A), and secure with knurled knobs (E).
11. Place the candle cover (R) over the socket (Y).
12. Install (4) four candelabra base bulbs (Q) up to 60 watts each or CFL or LED equivalent (not included) in accordance with the fixture specification—**DO NOT EXCEED THE MAXIMUM WATTAGE RATING! (NE PAS DEPASSER LA PUISSANCE NOMINALE MAXIMALE!)**.

Your installation is now complete. Return power to the junction box and test the fixture.

Note: Illustration (Fig. 1) on this manual is for installation purposes only. It may or may not be identical to the fixture purchased.

Fig. 1

- Set# A-020
- Circular Strap
- Ground Screw
- Mounting Screw*2



Rod# W30-1-84*1(F1)
W30-1-84*2(F2)
W30-H-84*1(F3)

Candle Cover#24048P-84

Fig. 3

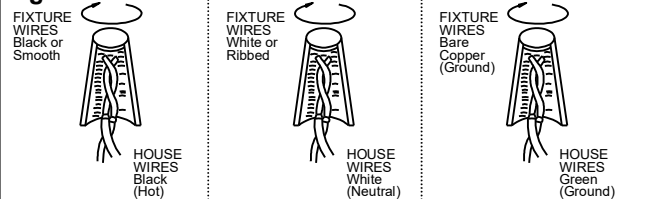
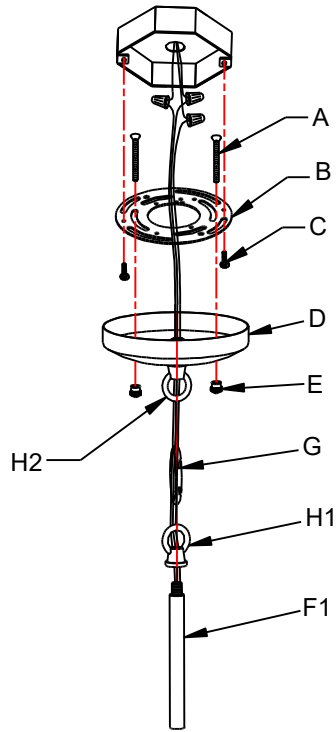
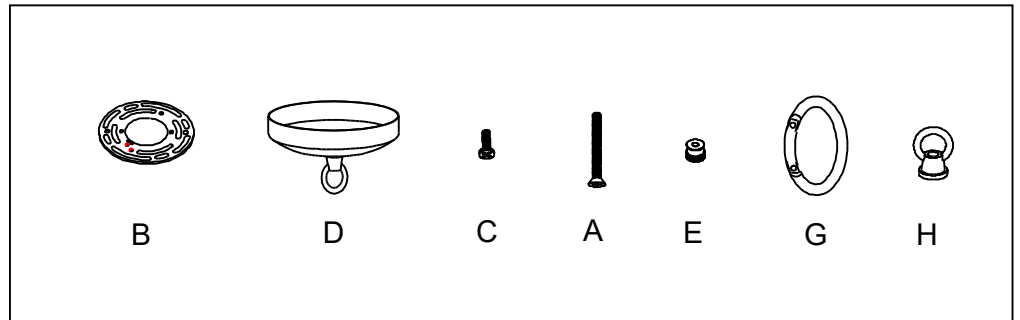


Fig.2



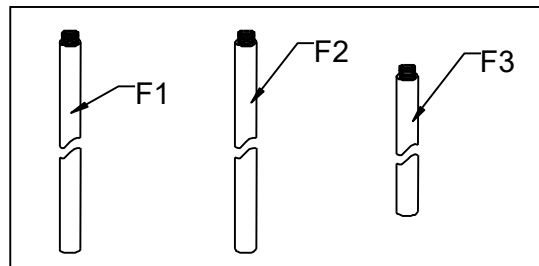
a. Hardware Bag:

- A. Screw*2
- B. Circular Strap*1
- D. Canopy *1
- C. Mounting Screw*2
- E. Knurled Knob*2
- H. Loop*2
- G. Quick Link*1



b. Hardware Bag:

- F1. ROD 12"*1
- F2. ROD 12"*2
- F3. ROD 6"*1



INSTALLATION INSTRUCTIONS

Item#1074-84(Convertible Lamps for Semi Flush Mount) (New. 2/25/2020)

READ AND SAVE THESE INSTRUCTIONS

WARNING! SHUT POWER OFF AT FUSE OR CIRCUIT BREAKER.

AVERTISSEMENT! COUPER LE COURANT AU NIVEAU DES FUSIBLES OU DU DISJONCTEUR.

PREPARATION (Fig. 4&Fig. 5)

1. Loosen hex nut (S) by using wrench (W). Carefully remove washer (T), lock washer (U), metal plate (V), canopy (D) and loop (H2)(Fig.5). Cut down a length of wire if the wire is too long.
2. Secure Metal tube(Z) into Nipple (I). And secure swivel (J) onto metal tube (Z).
3. Thread canopy (D), metal plate (V), lock washer (U), washer (T) and hex nut (S) into the nipple at the swivel (J).Then secure hex nut (S) by using wrench (W). (Fig. 4)
4. Thread screws (A) into the pre-drilled holes in the circular strap (B) spaced the same distance apart as the holes in the canopy (D). (Fig. 4)
5. Attach the circular strap (B) to the Junction box using mounting screws (C) (Size: #8-32N*L0.5"). The side of the circular strap marked "GND" must face out. (Fig. 4)

CONNECTING THE WIRES (Fig. 3)

6. At this point, connect the electrical wires as shown in figure 3, making sure that all wire connectors are secured. If your outlet has a ground wire (green or bare copper), connect the fixture's ground wire to it. Otherwise, connect the fixture's ground wire directly to the circular strap using the green screw provided.
7. Tuck the wire connectors neatly into the ceiling Junction Box and then raise the canopy all the way to the ceiling.

COMPLETING THE INSTALLATION (Fig. 4)

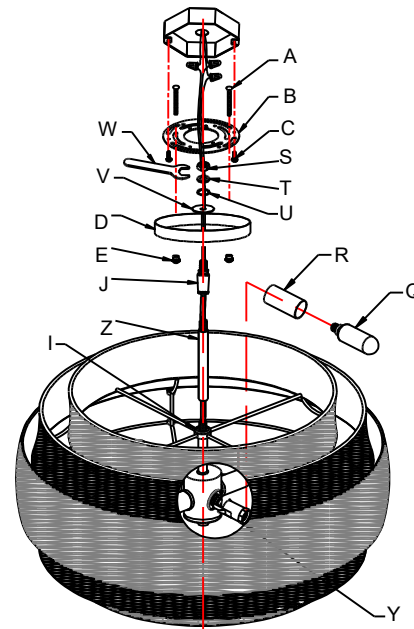
8. Thread canopy (D) into screws (A), and secure with knurled knobs (E).
9. Place the candle cover (R) over the socket (Y).
10. Install (4) four candelabra base bulbs (Q) up to 60 watts each or CFL or LED equivalent (not included) in accordance with the fixture specification — **DO NOT EXCEED THE MAXIMUM WATTAGE RATING! (NE PAS DEPASSER LA PUISSANCE NOMINALE MAXIMALE!)**.

Your installation is now complete. Return power to the junction box and test the fixture.

Note: Illustration (Fig. 4) on this manual is for installation purposes only. It may or may not be identical to the fixture purchased.

Fig. 4

Set# **A-020**
-Circular Strap
-Ground Screw
-Mounting Screw*2



Candle Cover# CCV24048P-84
Wrench#WRH-Y-89

Fig. 5

