

INSTALLATION INSTRUCTIONS

For Model # 1182 (New 06/07/2012)

WARNING! SHUT POWER OFF AT FUSE OR CIRCUIT BREAKER.

AVERTISSEMENT! COUPER LE COURANT AU NIVEAU DES FUSIBLES OU DU DISJONCTEUR.

ASSEMBLING THE FIXTURE (Fig.1)

1. Carefully remove the fixture from the carton and check that all parts are included as shown in the illustration.
2. Slide Glass Shade (D) along with Plastic Washer (E) and Iron Washer (F) over Pipe (C), then secure them using Nut (A) tightly.
3. Connect rod side and shade support together by threading Nipple (J) into Coupling (K).

HANGING THE FIXTURE (Fig. 2)

4. Shut off power at the circuit breaker and remove old fixture including the crossbar.
5. Thread Nipple into Loop until snug.
6. Thread other end of Nipple with Loop attached into crossbar until snug.
7. Place Lock Washer over end of Nipple protruding through crossbar and thread Hex Nut onto nipple until tight.
8. Take this crossbar assembly and mount to ceiling junction box with junction box screws. Tighten screws securely with screwdriver.
9. By measuring determine correct number of links needed for proper hanging height.
10. Use a pair of pliers to open one end link of the chain, attach the chain to the fixture's loop, and close the link. Slip Loop Collar and Canopy over the chain. Open the other end link of the chain and lift the fixture to attach to the ceiling loop, close the chain link.
11. Lace the fixture's wires through the chain links and pull until taut. Feed the fixture wires through the loop and Nipple and pull until taut.

CONNECTING THE WIRES (Fig. 3)

12. At this point, connect the electrical wire as shown in figure 3, making sure that all wire connectors are secured. If your outlet has a ground wire (green or bare copper), connect the fixtures Ground Wire to it. Otherwise, connect the fixture Ground Wire directly to the crossbar using the Green Screw provided.
 13. Tuck these wire connections neatly into the ceiling junction box and then raise the canopy all the way to the ceiling. Raise the Lock Collar and thread onto ceiling Loop protruding through canopy.
 14. Install the light bulbs in accordance with the fixture's specifications. **(DO NOT EXCEED THE MAXIMUM WATTAGE RATING!) (NE PAS DEPASSER LA PUISSANCE NOMINALE MAXIMALE!)**
 15. (Fig. 4) Place the Glass Bulb Shields (P) over the Studs (L) located on the Support Plate (N). Place Washers (M) over the Studs (L) and tightly secure with Knurled Knobs (O).
- Your installation is now complete. Return power to the junction box and test the fixture.

Note: Illustration (Fig. 1) on this manual is for installation purposes only. It may or may not be identical to the fixture purchased.

Fig. 1

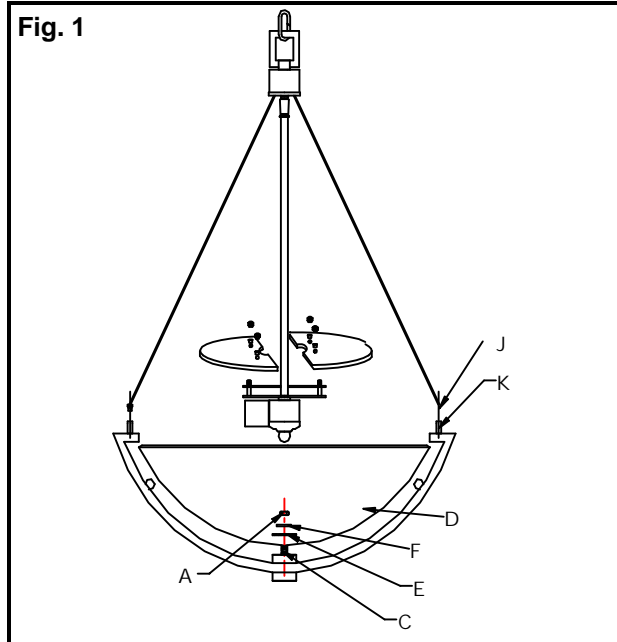


Fig. 2

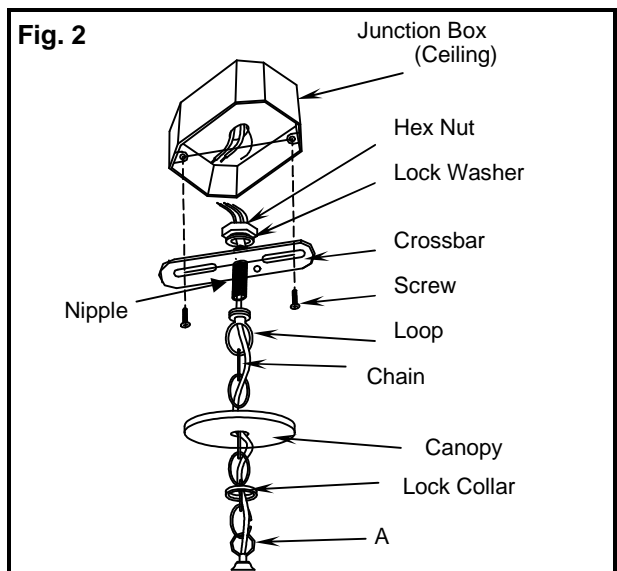


Fig. 3

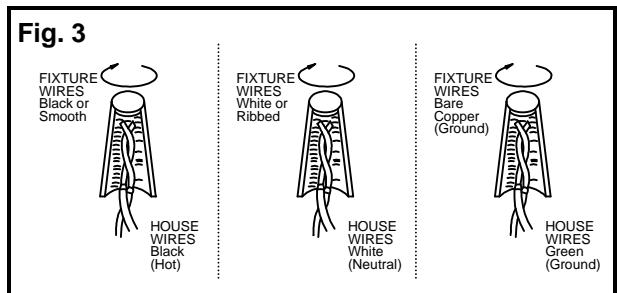
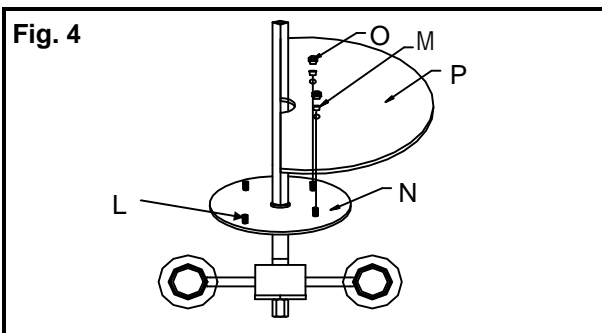


Fig. 4



Notice: It is important to use proper chain pliers (not included) To OPEN and CLOSE the chain included with this fixture. Do not open them with other tools that may twist or stress the chain links. It is important to use proper chain pliers like the ones shown in the diagram.



LA-685E