

INSTALLATION INSTRUCTIONS

For item#1206-695 (New. 2022/12/13)

READ AND SAVE THESE INSTRUCTIONS

WARNING! SHUT POWER OFF AT FUSE OR CIRCUIT BREAKER.

AVERTISSEMENT! COUPER LE COURANT AU NIVEAU DES FUSIBLES OU DU DISJONCTEUR.

PREPARING FOR INSTALLATION (Fig. 1)

1. Shut off power at the fuse box or circuit breaker box and remove the old fixture including the mounting hardware.
2. Carefully unpack your new fixture and lay out all the parts in a clean area. Take care not to misplace any small parts necessary for installation.

ASSEMBLING THE FIXTURE (Fig.1)

3. Attach mounting plate (A) to the junction box (not included) with mounting screws (B) (Size: #8-32N*L0.5"). The side of the mounting plate with "GND" marked on it and two convex points must face out.

CONNECTING THE WIRES (Fig. 2)

4. Connect the electrical wires as shown in fig.2, making sure that all wire connectors are secured. If your junction box has a ground wire (green or bare copper), connect the fixture's ground wire to it. Otherwise, connect the fixture's ground wire directly to the mounting plate (A) using the green screw provided.
5. Tuck wire connectors neatly into the junction box.

COMPLETING THE INSTALLATION (Fig. 1)

6. Slide canopy (C) over mounting plate (A) and secure with screws (D).
7. Install (3) three candelabra base bulbs (F) up to 60 watts each or CFL or LED equivalent (not included) in accordance with the fixture specification. **—DO NOT EXCEED THE MAXIMUM WATTAGE RATING! (NE PAS DEPASSER LA PUISSANCE NOMINALE MAXIMALE!)**
8. Place glass shades (G) over sockets (E) and twist to secure to the socket cup.

Your installation is now complete. Return power to the outlet box and test the fixture.

Note: Illustration (Fig. 1) on this manual is for installation purposes only. It may or may not be identical to the fixture purchased.

Fig. 1

- Set#A-021-XXX
- Mounting Plate
 - Ground Screw
 - Mounting Screw*2

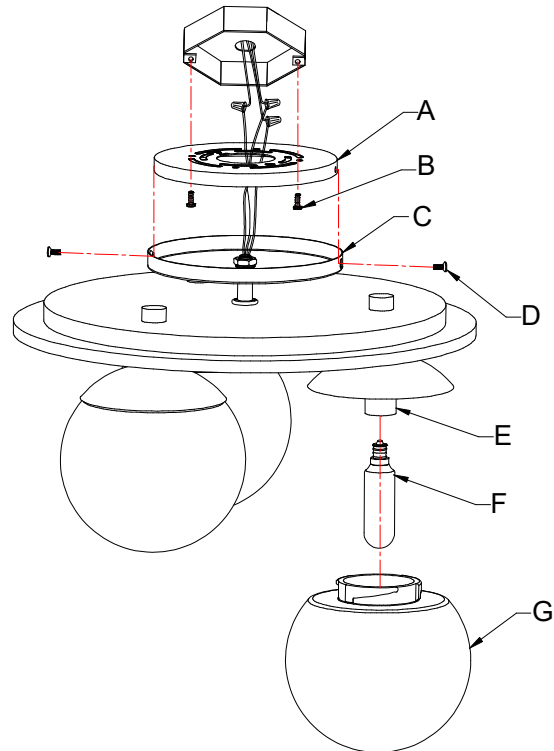


Fig. 2

