

INSTALLATION INSTRUCTIONS

Item#2105-726 (New.07/01/2022)

READ AND SAVE THESE INSTRUCTIONS

WARNING! SHUT POWER OFF AT FUSE OR CIRCUIT BREAKER.

AVERTISSEMENT! COUPER LE COURANT AU NIVEAU DES FUSIBLES OU DU DISJONCTEUR.

PREPARATION (Fig. 1)

1. Shut off power at the fuse box or circuit breaker box and remove the old fixture including the mounting hardware.
2. Carefully unpack your new fixture and lay out all the parts in a clean area. Take care not to misplace any small parts necessary for installation.

ASSEMBLING THE FIXTURE WITH CHAIN LOOP (Fig.1&Fig. 3)

3. Place square tubes (L) on metal frame (N) and attach with countersunk screws (M) (Size: 8#-32N*L0.3").
4. Align top frame (H) with square tubes (L) and attach with screws (T) (Size: 8#-32N*L0.3") and cover the hole with plastic plug (S).
5. Screw metal tube (J) onto the all thread on light cluster (K).
6. Attach center rod (I) onto all thread on metal tube (J).
7. Thread center rod (I) into the all thread on top frame (H).
8. Place acrylic ball (Q) to bottom of fixture body (K) and secure with allen screw (O) using wrench (P) provided.
9. Determine the desired hanging height and thread rods (G1, G2) to the all thread of top frame (H). Then attach loop (F1) by screwing onto rod (G1). Pass the wires carefully through each rod as you assembled.
10. Attach quick link (E) connect to loop (F1) and loop (F2) on canopy (C), carefully feed the wire through loop (F1), quick link (E) and loop (F2).
11. Attach mounting plate (A) to the junction box (not included) with junction box screws (B) (Size: #8-32N*L1"). The side of the mounting plate (A) with "GND" marked on it and two convex points must face out.
12. The support cable is provided to support weight of fixture while wiring. Align fixture to mounting plate (A) and attach hook (W) on the end of support cable (V) into a slot located on mounting plate (A). Carefully allow support cable (V) to support weight of fixture while wiring (Fig.1 Fig3).

CONNECTING THE WIRES (Fig. 2)

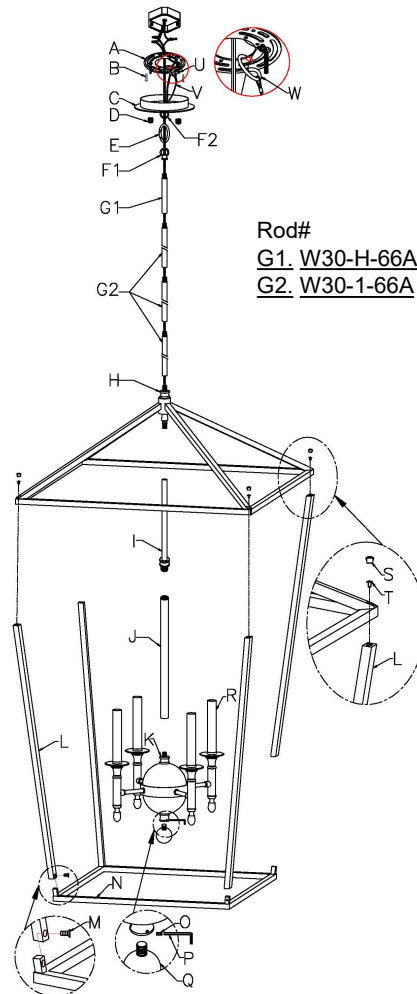
13. Connect the electrical wires as shown in fig.2, making sure that all wire connectors are secured. If junction box has a ground wire (green or bare copper), connect the fixture's ground wire to it. Otherwise, connect the fixture's ground wire directly to the mounting plate (A) using the green screw provided.
14. Tuck the wire connectors neatly into the junction box.

COMPLETING THE INSTALLATION (Fig. 1)

15. Slide canopy (C) over mounting screws (U) attached to mounting plate (A) and secure with knobs (D).
16. Install (4) four candelabra base bulbs up to 60 watts each or CFL or LED equivalent (not included) in accordance with the fixture specification—**DO NOT EXCEED THE MAXIMUM WATTAGE RATING! (NE PAS DEPASSER LA PUISSANCE NOMINALE MAXIMALE!)**

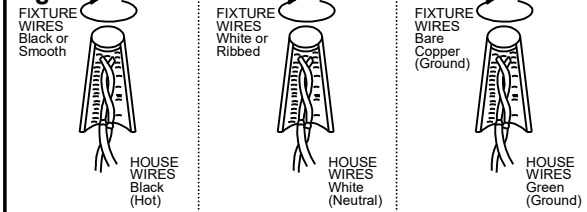
Fig. 1

Set#A-020-A
Mounting Plate x1pc
Ground Screw x1pc
Junction box Screw x2pcs



Candle Cover# CCV20135P-695 Acrylic Ball# GP2105

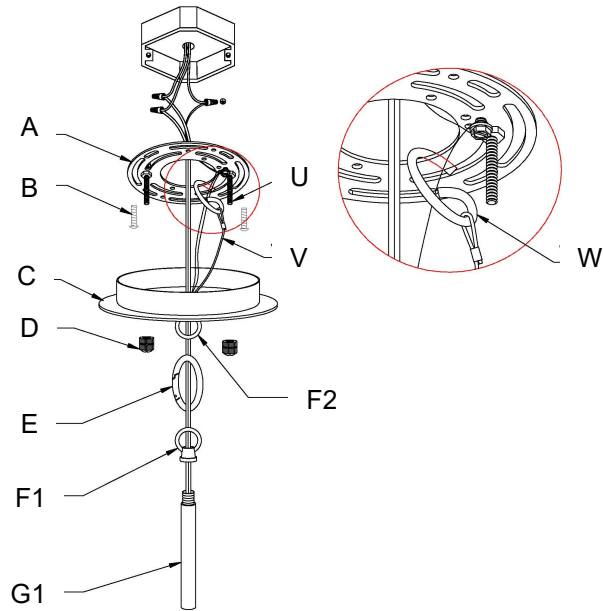
Fig. 2



Your installation is now complete. Return power to the junction box and test the fixture.

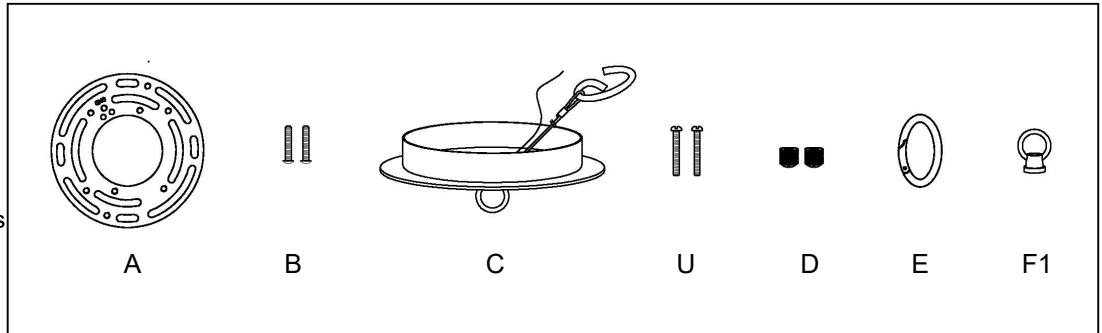
Note: Illustration (Fig. 1) on this manual is for installation purposes only. It may or may not be identical to the fixture purchased.

Fig.3



a. Hardware Bag

- A. Mounting Plate x 1pc
- B. Junction Box
Screw x 2pcs
- C. Canopy x 1pc
- U. Mounting Screw x 2pcs
- D. Lock-up Knob x 2pcs
- E. Quick Link x 1pcs
- F1. Loop x 2pcs



b. Hardware Bag

- G1. Rod 6" x1pc
- G2. Rod 12" x3pcs

