

INSTALLATION INSTRUCTION FOR FIXTURE #2231, 2232, 2233, 2234-695/66A

WARNING! SHUT POWER OFF AT FUSE OR CIRCUIT BREAKER.
AVERTISSEMENT! COUPER LE COURANT AU NIVEAU DES FUSIBLES OU DU DISJONCTEUR.

MOUNTING THE FIXTURE (FIG. 1)

1. Shut off the power supply at the fuse box or circuit breaker. If necessary, remove the old fixture from wall. Including the mounting hardware.
2. Carefully remove the new fixture from the carton and check that all parts are included as shown in the illustration.
3. Attach mounting plate (A) to outlet box (Not included) using outlet box screws (B). The side of mounting plate marked "GND" must face out.
4. Attach fixture wall plate (D) over mounting plate (B) and secure with knurled knobs (E) tightly.
5. Place socket cap (F) and glass shade (H) over socket (G) and secure with socket ring (I).
6. Install the bulb (J) (Not included) in accordance with fixture's specifications. **(DO NOT EXCEED THE MAXIMUM WATTAGE RATING!) (NE PAS DEPASSER LA PUISSANCE NOMINALE MAXIMALE!).**

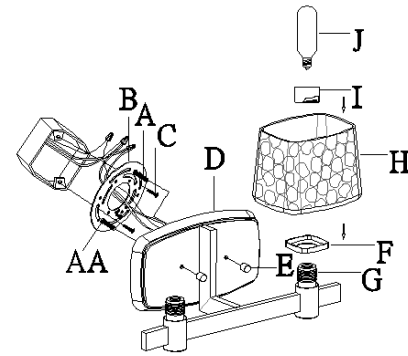
CONNECTING THE WIRES (FIG. 2)

7. Connect the electrical wires as shown in Fig.2 making sure that all wire connectors are secured. If your outlet box has a ground wire (green or bare copper), connect fixture's ground wire to it. Otherwise, connect fixture's ground wire directly to mounting strap using green screw provided.
8. Tuck wire connections neatly into outlet box.

Your installation is now complete. Return power to the outlet box and test the fixture.

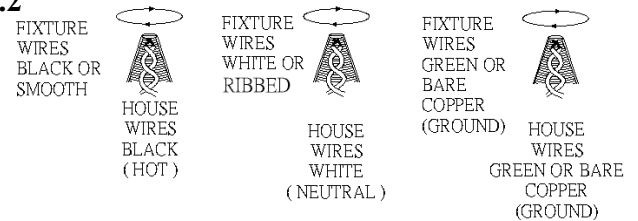
Fig.1

SOCKET RING #SKT-RING-12



A-020
Mounting Plate * 1
Mounting Screw * 2
Ground Screw * 1
Glass#G2233

Fig.2



Note: Illustration (Fig. 1) & (Fig.2) on this manual is for installation purposes only. It may or may not be identical to the fixture purchased.



american
lighting
association