

INSTALLATION INSTRUCTIONS

Item#2342-77(New.09/10/2017)

READ AND SAVE THESE INSTRUCTIONS

WARNING! SHUT POWER OFF AT FUSE OR CIRCUIT BREAKER.

AVERTISSEMENT! COUPER LE COURANT AU NIVEAU DES FUSIBLES OU DU DISJONCTEUR.

HANGING THE FIXTURE (Fig. 1)

- Carefully remove the fixture from the carton and check that all parts are included as shown in the illustration.
- Shut off power at the circuit breaker and remove old fixture including the mounting hardware.
- The circular strap (G) contains several pairs of threaded holes, find the pair of holes that match the holes spacing in your Junction box. Attach the circular strap (G) to the Junction Box using the two mounting screws (A) (size: 8/32*25mm). Tighten the screws (A) securely with screwdriver. The side of the mounting plate marked "GND" must face out.

CONNECTING THE WIRES (Fig. 2)

- At this point, connect the electrical wires as shown in (Fig.2), Make sure that all wire connections are secured. If your outlet has a ground wire (green or bare copper), connect the fixtures Ground Wire to it. Otherwise, connect the fixture Ground Wire directly to the circular strap using the Green Screw provided.

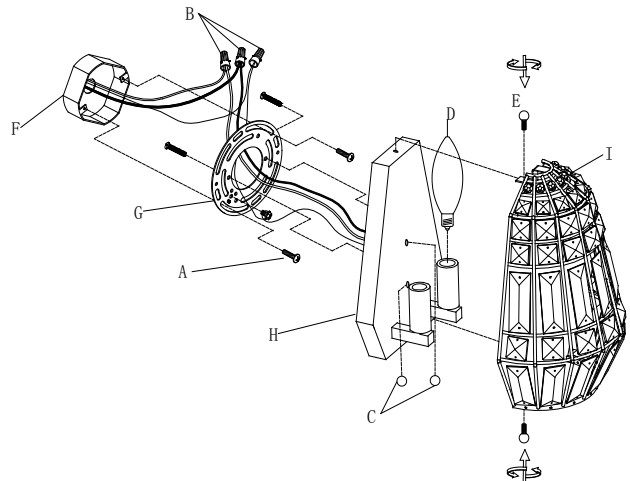
INSTALL LIGHT BULB (Fig. 1)

- Removed the lamp shade from the back plate (H) by unscrewing the mounting screw (C)
- Position the back plate (H) so that the mounting screws ball protruding from mounting bracket line up with the holes in the canopy. Secure back plate in place with provided mounting screws ball (C)
- Install light bulb (D) (not included) in accordance with the fixture's specifications. **(DO NOT EXCEED THE MAXIMUM WATTAGE RATING!!) (NE PAS DEPASSER LA PUISSANCE NOMINALE MAXIMALE!)**
- Secure the fixture body (I) to back plate (H) with provided the screw balls (E).

FINISH THE INSTALLATION (Fig. 1)

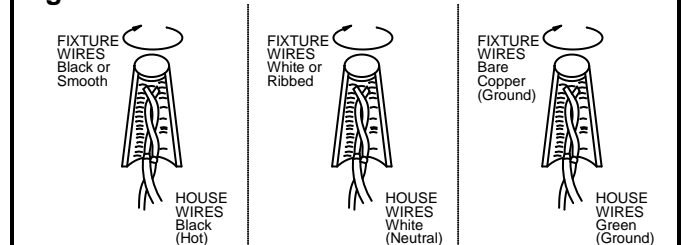
- Your installation is complete now. Return power to the junction box and test the fixture. **Note: Illustration (Fig.1) on this manual is for installation purposes only. It may or may not be identical to the fixture purchased.**

Fig.1



GC2341-1	Ø 10	1PC
- Set #A-020-102		
GC2341-2	14*14MM	1PC
- Circular strap		
GC2341-3	20*20MM	2PCS
-Ground Screw		
GC2341-5	22*63MM	1PC
-Mounting Screw*2		
GC2341-3	20*20MM	1PC
GC2341-5	22*63MM	1PC

Fig. 2



MIN 75°C SUPPLY CONDUCTORS