

INSTALLATION INSTRUCTIONS

Item#2348-77(New.09/10/2017)

READ AND SAVE THESE INSTRUCTIONS

WARNING! SHUT POWER OFF AT FUSE OR CIRCUIT BREAKER.

AVERTISSEMENT! COUPER LE COURANT AU NIVEAU DES FUSIBLES OU DU DISJONCTEUR.

HANGING THE FIXTURE (Fig. 1)

- Carefully remove the fixture from the carton and check that all parts are included as shown in the illustration.
- Shut off power at the circuit breaker and remove old fixture including the mounting hardware.
- Twist the tube (M) to the connector of the canopy (D) and the connector of lamp holder (F).
- Fix the tube (M) to the connector (L), which on the canopy, and then twist the tube (M) to the lamp shade.
- Hand up the crystal ball(R) to the hole of the fixture.
- The crossbar (B) contains several pairs of threaded holes, find the pair of holes that match the holes spacing in your Junction box Attach the crossbar(B) to the Junction Box(I) using the two mounting screws(A) (size:8/32*25mm). Tighten the screws (K) securely with screwdriver. The side of mounting bracket marked "GND" must face out.

CONNECTING THE WIRES (Fig. 2)

- At this point, connect the electrical wires as shown in (Fig.2), Make sure that all wire connections are secured. If your outlet has a ground wire (green or bare copper), connect the fixtures Ground Wire to it. Otherwise, connect the fixture Ground Wire directly to the crossbar using the Green Screw.

- Position the canopy (D) so that the mounting screws protruding from mounting bracket line up with the holes in the canopy. Secure canopy in place with provided screw ball (E)

INSTALL LIGHT BULB (Fig. 1)

- Install light bulb (O) (not included) in accordance with the fixture's specifications. **(DO NOT EXCEED THE MAXIMUM WATTAGE RATING!!) (NE PAS DEPASSER LA PUISSANCE NOMINALE MAXIMALE!)**

Fig.1

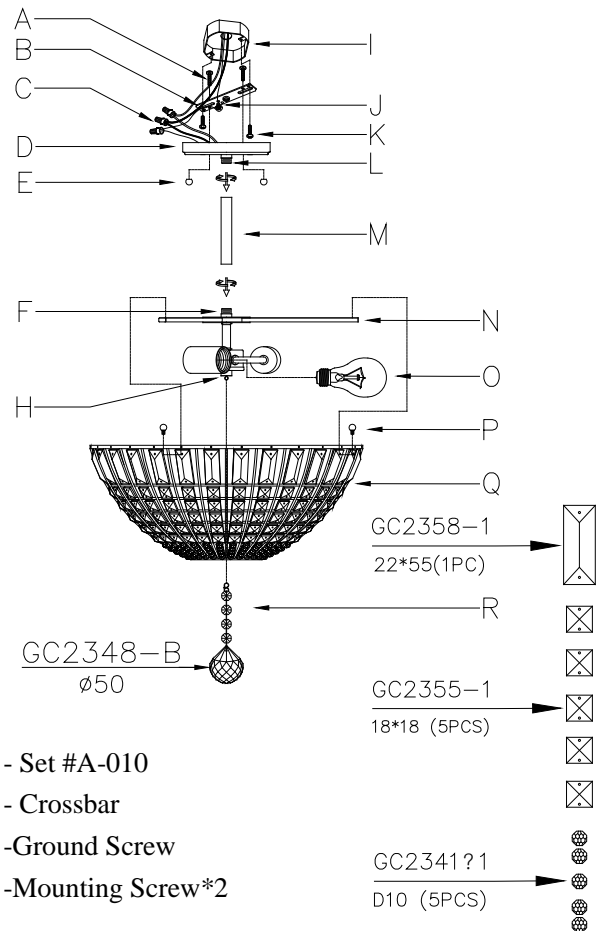
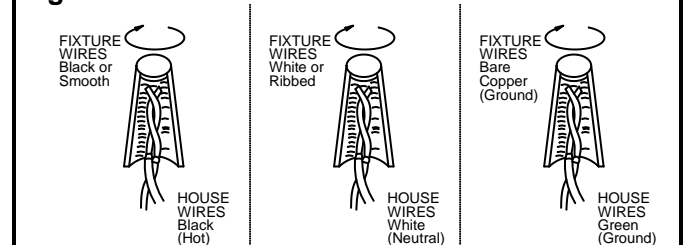


Fig. 2



MIN 90°C SUPPLY CONDUCTORS