

INSTALLATION INSTRUCTIONS

Item#2368-77(New.09/14/2017)

READ AND SAVE THESE INSTRUCTIONS

WARNING! SHUT POWER OFF AT FUSE OR CIRCUIT BREAKER.

AVERTISSEMENT! COUPER LE COURANT AU NIVEAU DES FUSIBLES OU DU DISJONCTEUR.

HANGING THE FIXTURE (Fig. 1)

- Carefully remove the fixture from the carton and check that all parts are included as shown in the illustration.
- Shut off power at the circuit breaker and remove old fixture including the mounting hardware.
- Position the mounting plate (B) on the ceiling and mark the location of the two drywall anchors(C).Then insert the drywall anchors(c) into the ceiling.
- Attached mounting plate (B) to the outlet box using mounting screws(E)(size:8/32*25mm) and wood screws(D) into drywall anchors(C).The side of mounting plate marked "GND" must face out.
- Determine the desired handing height and thread rods (I2,I3) to the nipple(J) of the fixture body, Then attach loop(H)by screwing in to rod(I1).Note: remove the nipple if installing with one 6' rod only.
- Attach the quick link (O) to loop (H) and loop on the canopy, carefully feed the wire over loop (I1),quick link(O) and loop on the canopy.
- The support cable (M) is provided to support the weight of the fixture while wiring. Align the fixture to mounting plate(B) and attach hook(L) on the end of support cable(M) into a slot located on mounting plate(B).Carefully allow the support cable(M) to support the weight of the fixture while wiring.

CONNECTING THE WIRES (Fig. 2)

- At this point, connect the electrical wires as shown in (Fig.2), Make sure that all wire connections are secured. If your outlet has a ground wire (green or bare copper), connect the fixtures Ground Wire to it. Otherwise, connect the fixture Ground Wire directly to the crossbar using the Green Screw.

INSTALL LIGHT BULB (Fig. 1)

- Install light bulb (K) (not included) in accordance with the fixture's specifications. (DO NOT EXCEED THE MAXIMUM WATTAGE RATING!!) (NE PAS DEPASSER LA PUISSANCE NOMINALE MAXIMALE!)

FINISH THE INSTALLATION (Fig. 1)

- Your installation is complete now. Return power to the junction box and test the fixture. **Note: Illustration (Fig.1) on this manual is for installation purposes only. It may or may not be identical to the fixture purchased.**

Fig.1

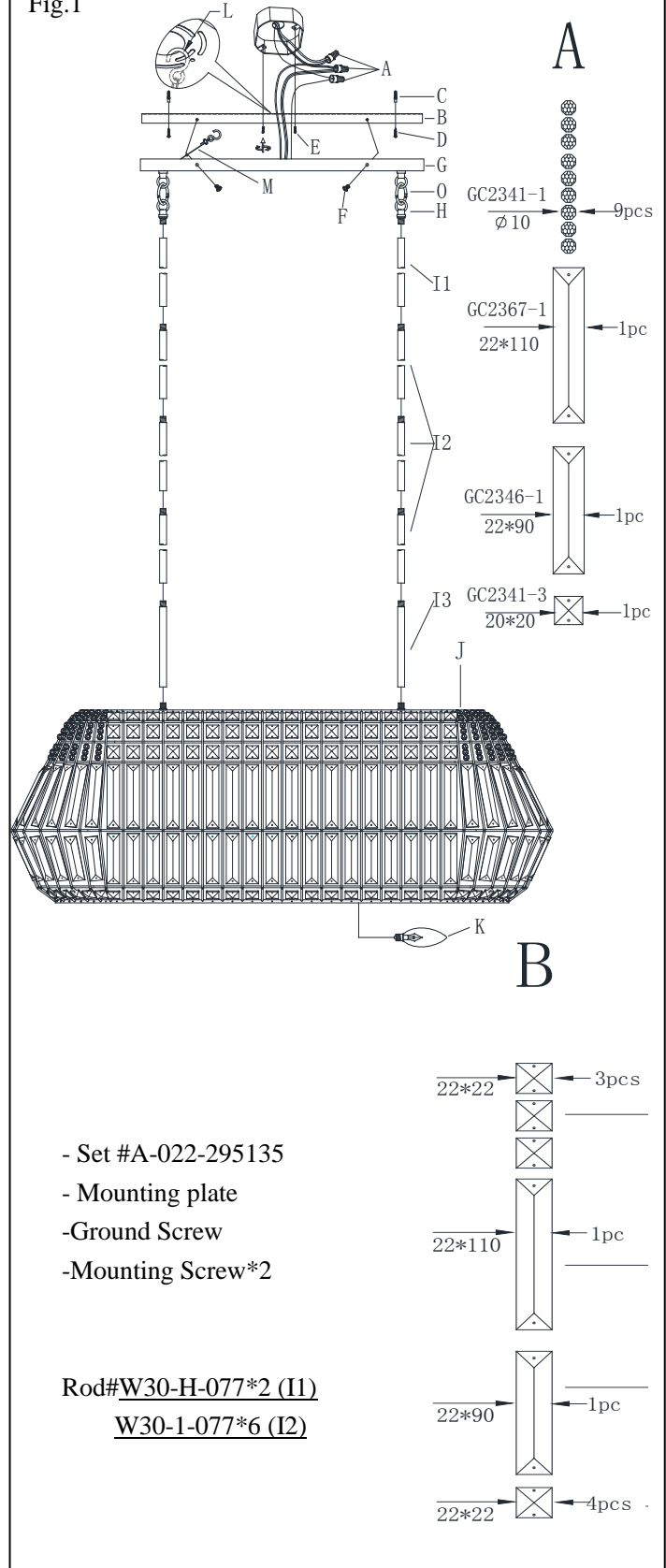
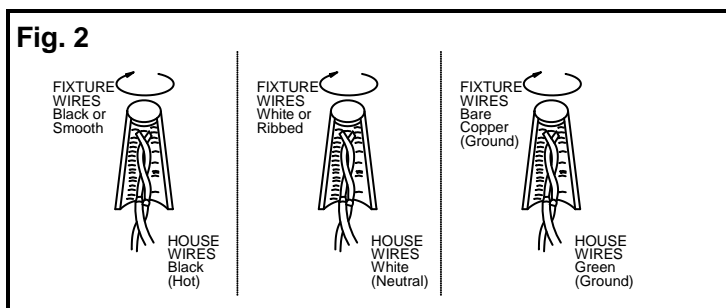


Fig. 2



american lighting association