

# INSTALLATION INSTRUCTIONS

Item#2380-77(New.2017/1/10)

## READ AND SAVE THESE INSTRUCTIONS

**WARNING! SHUT POWER OFF AT FUSE OR CIRCUIT BREAKER.**

**AVERTISSEMENT! COUPER LE COURANT AU NIVEAU DES FUSIBLES OU DU DISJONCTEUR.**

### HANGING THE FIXTURE (Fig. 1)

1. Carefully remove the fixture from the carton and check that all parts are included as shown in the illustration.
2. Shut off power at the circuit breaker and remove old fixture including the mounting hardware.
3. Removed the mounting bracket (C) from the fixture body (B) by unscrewing the mounting screw (A)

### CONNECTING THE WIRES (Fig. 2)

4. At this point, connect the electrical wires as shown in (Fig.2), Make sure that all wire connections are secured. If your outlet has a ground wire (green or bare copper), connect the fixtures Ground Wire to it. Otherwise, connect the fixture Ground Wire directly to the circular strap using the Green Screw provided
5. Secure the mounting plate (C) by inserting the wood screws (H) through the holes on the mounting plate into the plastic anchors .
6. The mounting bracket (C) contains several pairs of threaded holes, find the pair of holes that match the holes spacing in your Junction box(E). Attach the mounting bracket (C) to the Junction Box(E) using the two mounting screws (G)( size: 8/32\*25mm). Tighten the screws (G) securely with screwdriver. The side of the mounting plate marked "GND" must face out.
7. Secure the fixture body (B) to mounting bracket (C) with the mounting screw(A).

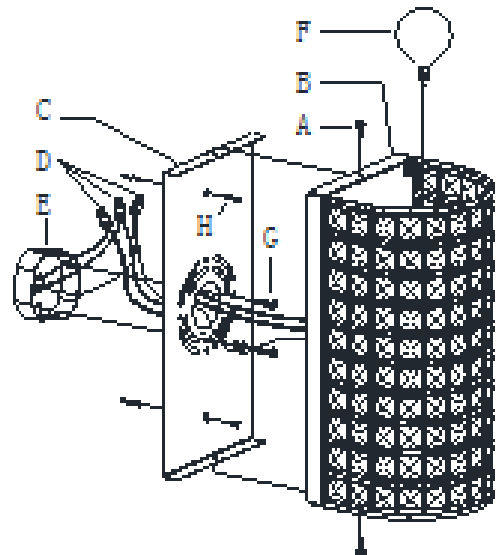
### INSTALL LIGHT BULB (Fig. 1)

8. Install light bulb (F) (not included) in accordance with the fixture's specifications. **(DO NOT EXCEED THE MAXIMUM WATTAGE RATING!!) (NE PAS DEPASSER LA PUISSANCE NOMINALE MAXIMALE!)**

### FINISH THE INSTALLATION (Fig. 1)

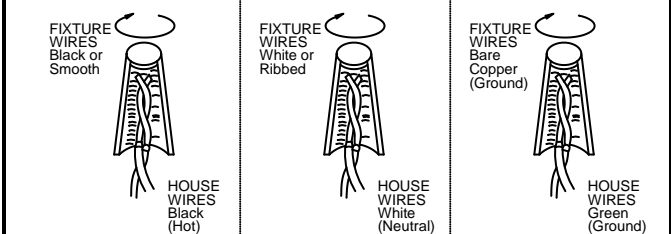
9. Your installation is complete now. Return power to the junction box and test the fixture. **Note: Illustration (Fig.1) on this manual is for installation purposes only. It may or may not be identical to the fixture purchased.**

Fig.1



- Set #A-022-147400
- Mounting bracket
- Ground Screw
- Mounting Screw\*2

Fig. 2



MIN 75°C SUPPLY CONDUCTORS