

INSTALLATION INSTRUCTIONS

For Item#2685-66-L / 2685-788-L (New. 2024/06/18)

READ AND SAVE THESE INSTRUCTIONS

WARNING! SHUT POWER OFF AT FUSE OR CIRCUIT BREAKER.

AVERTISSEMENT! COUPER LE COURANT AU NIVEAU DES FUSIBLES OU DU DISJONCTEUR.

PREPARATION (Fig.1)

1. Shut off power at the fuse box or circuit breaker box and remove the old fixture including the mounting hardware.
2. Carefully unpack your new fixture and lay out all the parts in a clean area. Take care not to misplace any small parts necessary for installation.

ASSEMBLING THE FIXTURE (Fig. 1 & Fig. 2)

3. Loosen hex nuts (D) by using wrench (J) (not included), then remove metal washers (E), lock washers (L), canopy (H). Loosen hex nuts (D1) by using wrench (J) (not included), then remove lock washers (L), metal support plate (I) and swivels (G).
4. Determine the desired hanging height and thread rods (F1, F2 and F3) to all thread (M) on top of fixture body. Carefully pass wires and safety cable carefully through each rod as you assemble. Secure swivels (G) onto rods (F1).
5. Align metal support plate (I) and lock washers (L) followed onto swivels (G) and secure with hex nuts (D1) via Wrench (J) (not included). Align canopy (H) followed by lock washers (L) and metal washers (E) onto swivels (G) and secure with hex nuts (D) via Wrench (J) (not included).
6. Position mounting plate (A) on ceiling and mark location of the four drywall anchors (K). Pre-drill holes for drywall anchors (K). Then insert drywall anchors (K) into ceiling.
7. Install a 1/4" IPS all thread (N) (not provided) with one end securely mounted to a beam of a structural member. The other end should protrude through the center of junction box as shown.
8. Secure the hex nut (P) onto all thread (N) and then secure the hickey (Q) tightly.
9. Feed the safety cable through the mounting plate (A) and allow safety cable to exit through the side of hickey (Q). Run safety cable through the hickey (Q) one circle and secure safety cable with set screw assembly and set screw (provided).
10. Attach mounting plate (A) to junction box (Not included) with mounting screws (B) (Size: #8-32N*L0.5") and wood screws (O) into drywall anchors (K). The side of the mounting plate marked "GND" must face out.
11. Connect Red wire (marked output +) (R) on driver (T) to Red wire (marked LED +) (S) on fixture. Connect Black wire (marked output -) (Y) on driver (T) to Black wire (marked LED -) (V) on fixture. Secure connections with small wire connector (U) and wrap connections with electrical tape for a more secure connection.

CONNECTING THE WIRES (Fig. 3)

12. Connect electrical wires as shown in Fig 3, making sure that all wire connectors are secured. If your junction box has a ground wire (green or bare copper), connect the fixture's ground wire to it. Otherwise, connect the fixture's ground wire directly to mounting plate (A) using the green screw provided.
13. Tuck wire connectors neatly into the junction box.

COMPLETING THE INSTALLATION (Fig. 1)

14. Place canopy (H) over mounting plate (A) and secure with screws (C).

WARNING: This luminaire must be mounted or supported independently of a junction box.

Your installation is now complete. Return power to the junction box and test the fixture.

Dimmable with ELV and/or LED compatible wall dimmer switches.

Fig. 1

Set#A-021-195120A

-Mounting Plate

-Ground Screw

-Mounting Screw *2

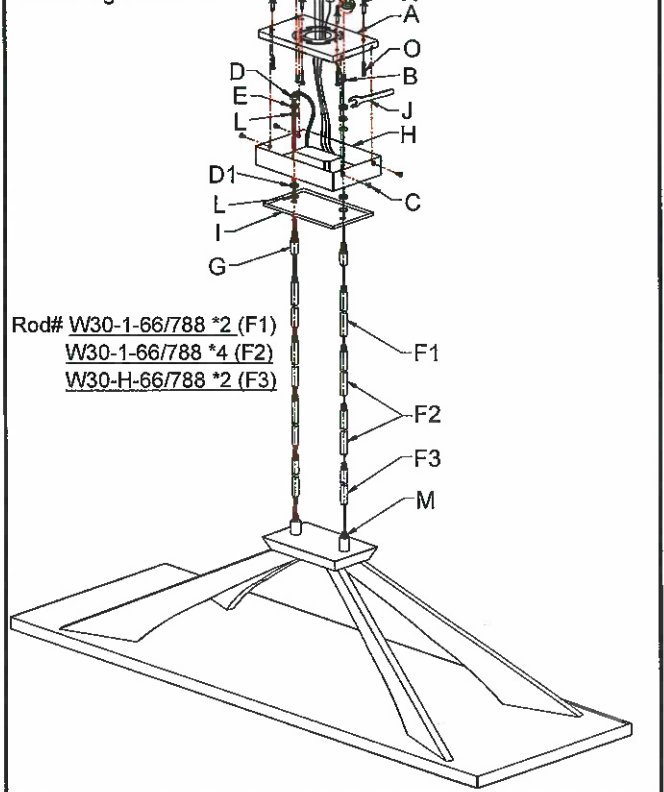


Fig.2

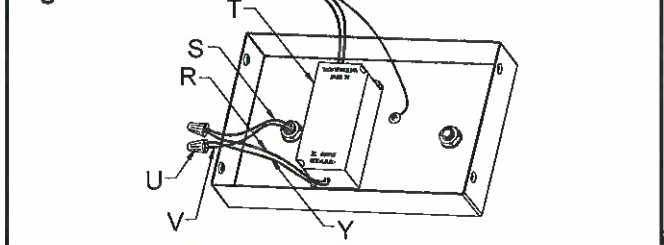


Fig. 3

