

# INSTALLATION INSTRUCTIONS

For item#3049-560(New. 05/10/2021)

## READ AND SAVE THESE INSTRUCTIONS

**WARNING! SHUT POWER OFF AT FUSE OR CIRCUIT BREAKER.**

**AVERTISSEMENT! COUPER LE COURANT AU NIVEAU DES FUSIBLES OU DU DISJONCTEUR.**

### PREPARING FOR INSTALLATION (Fig. 1)

1. Shut of power at the fuse box or circuit breaker box and remove the old fixture including the mounting hardware.
2. Carefully unpack your new fixture and lay out all the parts in a clean area. Take care not to misplace any small parts necessary for installation.
3. Thread all thread (E) into crossbar (C). Note: The length of all thread (E) into crossbar (C) may be adjusted if necessary.
4. Use lock washer (B) and hex nut (A) to secure all thread (E) to crossbar (C).
5. Take crossbar assembly and mount it to the outlet box (not included) with mounting screws (D) (Size: #8-32N\*L0.5"). The side of crossbar marked with "GND" must face out.
6. Screw rods (K) onto all threads (M) on the fixture body.
7. Slide canopy (J), washers (I) and lock washers (H) over rods (K) and secure with hex nut (G). Tighten hex nuts (G) using wrench (F) (not included).

### CONNECTING THE WIRES (Fig.2)

8. Connect the electrical wires as shown in figure 2, making sure that all wire connectors are secured. If your outlet has a ground wire (green or bare copper), connect the fixture's ground wire to it. Otherwise, connect the fixture's ground wire directly to the crossbar (C) using the green screw provided.
9. Tuck wire connectors neatly into the outlet box.
10. Slide canopy (J) over all thread (E) and secure with finial (L).
11. Install (4) four medium base bulbs (O) up to 60 watts each or CFL or LED equivalent (not included) in accordance with the fixture specification—**DO NOT EXCEED THE MAXIMUM WATTAGE RATING! (NE PAS DEPASSER LA PUISSANCE NOMINALE MAXIMALE!)**.
12. Install glass shades (P) onto socket cups (N).

Your installation is now complete. Return power to the outlet box and test the fixture.

**Note:** Illustration (Fig. 1) on this manual is for installation purposes only. It may or may not be identical to the fixture purchased.

Fig. 1

Set# A-010

- Crossbar
- Ground screw
- Mounting screw\*2

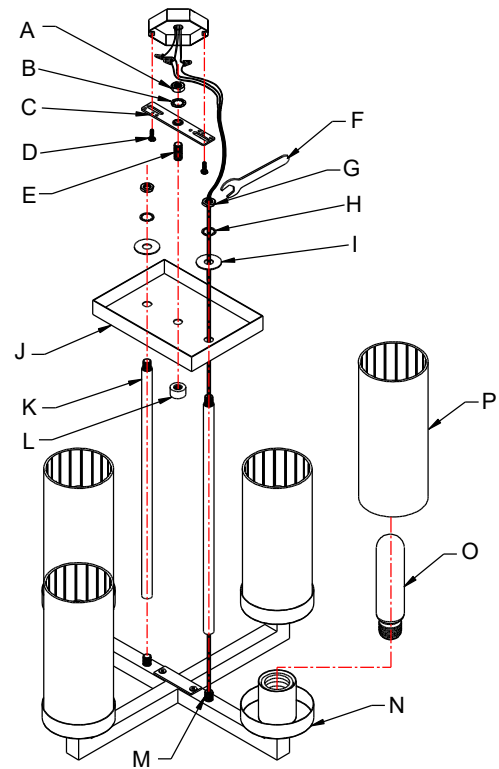


Fig. 2

