

INSTALLATION INSTRUCTION FOR FIXTURE 3122

WARNING! SHUT POWER OFF AT FUSE OR CIRCUIT BREAKER.
AVERTISSEMENT! COUPER LE COURANT AU NIVEAU DES FUSIBLES OU DU DISJONCTEUR.

ASSEMBLING THE FIXTURE (FIG.2)

1. Shut off the power at the fuse box or circuit breaker. If necessary, remove the old fixture, including the mounting hardware.
2. Carefully remove the fixture from the carton and check that all parts are included as shown in the illustration.
3. Thread the Loop (A) tightly onto the Nipple (B).
4. Slide the candle cover (D) over the socket (C), then install the light bulb in accordance with fixture's specifications. **(DO NOT EXCEED THE MAXMUM WATTAGE RATING!) (NE PAS DEPASSER LA PUISSANCE NOMINALE MAXIMALE!).**
5. Hang the crystal drop (F) & (E) onto the fixture body.

MOUNTING THE FIXTURE (FIG.1)

- 1, Thread the nipple (I) into the collar loop (J) until snug.
- 2, Thread the other end of nipple(I) into the cross bar(F) until snug.
- 3, Place lock washer (E) over the end of nipple (I) protruding through cross bar (F) and thread hex nut (D) onto nipple until tight.
- 4, Take this crossbar assembly and mount to ceiling outlet box (A) tightly using outlet box screws (H). The side of cross bar marked with "GND" must face out.
- 5, Use a pair of chain pliers to open one end link of the chain and connect it to the fixture loop(A). Close the link.
- 6, By measuring, determine the correct number of links needed for proper hanging height. Using chain pliers, open and discard the remaining chain.
- 7, Carefully lace the fixture wires through the chain.
- 8, Slip collar ring (L) over the chain, then do the same with canopy (K).
- 9, Open the other end link of the chain and connect to the collar loop (J). Close the link.
- 10, Feed the fixture wires through the collar loop (J) and nipple (I) and pull until tight.

CONNECTING THE WIRES (See fig.3)

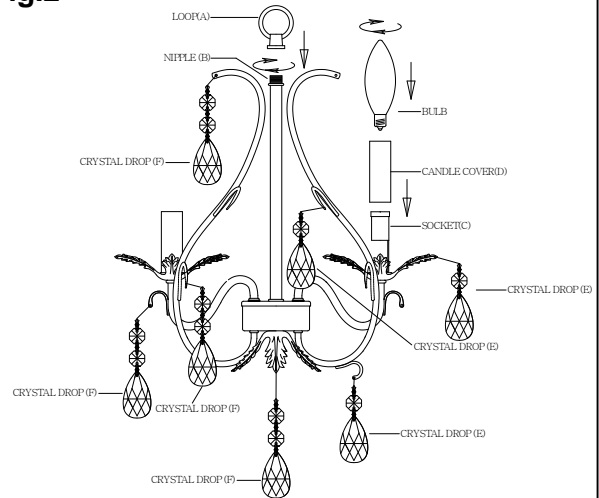
1. At this point, connect the electrical wires as shown in Fig. 3, making sure that all wire connectors are secured. If your outlet box has a ground wire (green or bare copper), connect the fixture's ground wire to it. Otherwise, connect the fixture's ground wire directly to the mounting plate using the green screw provided. After wires are connected, tuck them carefully inside the junction box.
2. Then raise the collar ring (L) and thread onto collar loop (J) protruding through the canopy.

Your installation is now complete. Return power to the junction box and test the fixture.



Notice: It is important to use proper chain pliers (not included) to OPEN and CLOSE the chain included with this fixture. Do not open them with other tools that may twist or stress the chain links. It is important to use proper chain pliers like the ones shown in the diagram.

Fig.2



Crystal Drop(E): 18PCS Crystal Drop (F): 15PCS

Fig.1

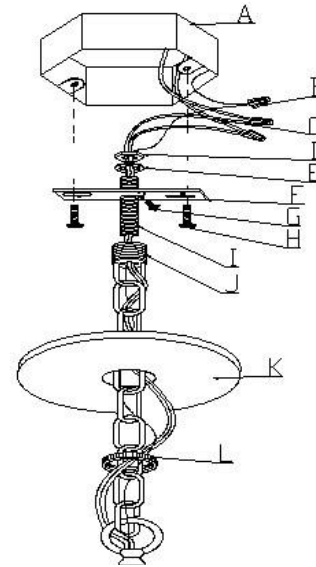


Fig.3

