

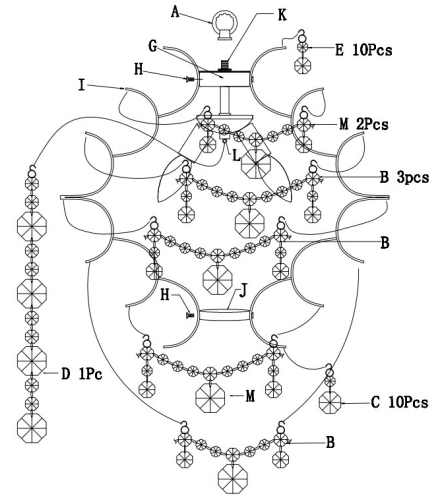
**INSTALLATION INSTRUCTIONS**  
**Item#3156-77(New. 1/27/2021)**  
**READ AND SAVE THESE INSTRUCTIONS**

**WARNING! SHUT POWER OFF AT FUSE OR CIRCUIT BREAKER.**  
**AVERTISSEMENT! COUPER LE COURANT AU NIVEAU DES FUSIBLES OU DU DISJONCTEUR.**

**ASSEMBLING THE FIXTURE (FIG. 1)**

1. Shut off power at the fuse box or circuit breaker box and remove the old fixture including the mounting hardware.
2. Shut off the power at the fuse box or circuit breaker. If necessary, remove the old fixture including the mounting hardware.
3. Thread fixture loop (A) onto all thread (K) on top of fixture.
4. Install (4) four candelabra base bulbs up to 60 watts each or CFL or LED equivalent (not included) in accordance with the fixture specification. —**DO NOT EXCEED THE MAXIMUM WATTAGE RATING! (NE PAS DEPASSER LA PUISSANCE NOMINALE MAXIMALE!)**
5. Attach fixture arm (I) to wiring hub (G) and ring (J) using screws (H) as shown in Fig. 1.

Fig. 1

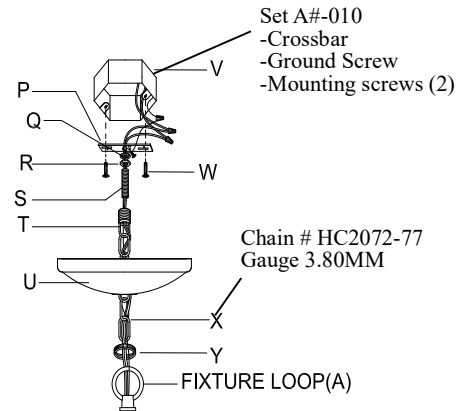


Code	Glass#	QTY/ per item
M	GC3156-A	2
B	GC3156-B	3
C	GC3156-P1	10
D	GC3156-C	1
E	GC3155-P2	10

**MOUNTING THE FIXTURE (FIG. 2)**

6. Thread all thread (S) into collar loop (T) until secure.
7. Thread the other end of all thread (S) into the crossbar (P).
8. Place lock washer (Q) and thread hex nut (R) over the end of all thread (S) protruding through crossbar (P) until secure.
9. Take this crossbar assembly and mount to ceiling outlet box (V) using outlet box screw (W). The side of crossbar marked "GND" must face out.
10. Use proper chain pliers to open one end link of the chain and connect to the fixture loop (A). Close the link.
11. By measuring, determine the correct number of links needed for proper hanging height. Using the chain pliers, disconnect and discard the remaining chain.
12. Carefully lace fixture wires through chain (X).
13. Slide collar ring (Y) over chain (X), then canopy (U).
14. Open the other end link of the chain (X) and connect to the collar loop (T). Close the link.
15. Feed the fixture wires through collar loop (T) and all thread (S). Pull until tight.

Fig. 2

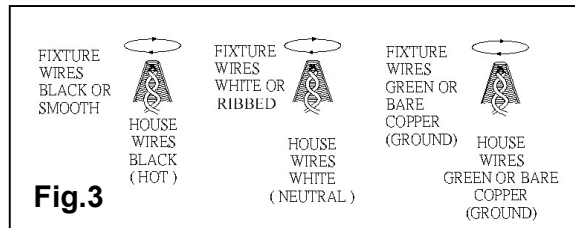


**CONNECTING THE WIRE (See fig.3)**

16. Connect the electrical wires as shown in Fig. 3, making sure that all wire connectors are secured. If your outlet box has a ground wire (green or bare copper), connect the fixture's ground wire to it. Otherwise, connect the fixture's ground wire directly to the crossbar (P) using the green screw provided.
17. Tuck wire connectors neatly into ceiling outlet box. Raise canopy (U) over collar loop (T) and secure with collar ring (Y).

**HANG THE CRYSTAL DROPS (FIG. 1)**

18. Hang crystal drops (E and C) onto the support arm (I) as shown in Fig 1.
19. Hang crystal drop chain (D) on to the loop (L) as shown in Fig1.
20. Hang crystal chains (M & B) on to the support (I) as shown in Fig 1. (Fasten each crystal chain from beginning to end around fixture).



Your installation is now complete. Return power to the outlet box and test the fixture.



LA-3340E



Notice: It is important to use proper chain pliers (not included) to OPEN and CLOSE the chain included with this fixture. Do not open them with other tools that may twist or stress the chain links. It is important to use proper chain pliers like the ones shown in the diagram.