

INSTALLATION INSTRUCTIONS

Item#3194-287 3195-287 (New.03/21/2023)

READ AND SAVE THESE INSTRUCTIONS

WARNING! SHUT POWER OFF AT FUSE OR CIRCUIT BREAKER.

AVERTISSEMENT! COUPER LE COURANT AU NIVEAU DES FUSIBLES OU DU DISJONCTEUR.

PREPARATION (Fig. 1)

1. Shut off power at the fuse box or circuit breaker box and remove the old fixture including the mounting hardware.
2. Carefully unpack your new fixture and lay out all the parts in a clean area. Take care not to misplace any small parts necessary for installation.

ASSEMBLING THE FIXTURE (Fig.1&Fig.3)

3. Screw rope shade (I) to rod (H). Pass the wires carefully through swivel (P) and screw another end of rod (H) on swivel (P).
4. Place upper arms (G) through metal plate (F) and secure with barrel screws (E).
5. Set glass shade (J) on decorative ring (M).
6. Place lower arms (G) into decorative ring (M) and secure with allen screws (K) using allen wrench (L) provided.
7. Determine the desired hanging height. Pass the wires carefully through each rod as you assembled. Thread one end of rods (D1 or D2) to coupling (Q) on metal plate (F), secure the other end of rod (D1 or D2) to swivel (O).
8. Attach mounting plate (A) to the junction box (not included) with junction box screws (B) (Size: #8-32N*L1"). The side of the mounting plate (A) with "GND" marked on it and two convex points must face out.

CONNECTING THE WIRES (Fig. 2)

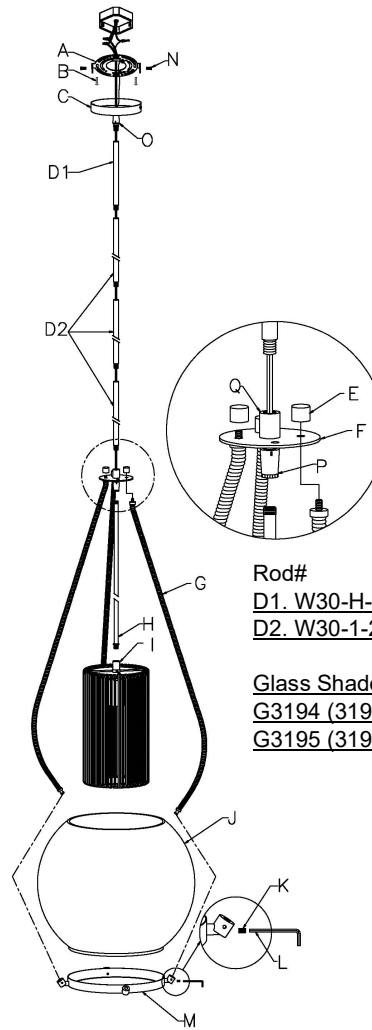
9. Connect the electrical wires as shown in fig.2, making sure that all wire connectors are secured. If junction box has a ground wire (green or bare copper), connect the fixture's ground wire to it. Otherwise, connect the fixture's ground wire directly to the mounting plate (A) using the green screw provided.
10. Tuck the wire connectors neatly into the junction box.

COMPLETING THE INSTALLATION (Fig. 1)

11. Raise canopy and align the holes with mounting plate (A) and secure with mounting screws (N) (Size: #8-32N*L0.5").
12. Install (1) one bulbs (**candelabra base for 3194-287 and medium base for 3195-287**) up to 60 watts each or CFL or LED equivalent (not included) in accordance with the fixture specification—**DO NOT EXCEED THE MAXIMUM WATTAGE RATING! (NE PAS DEPASSER LA PUISSANCE NOMINALE MAXIMALE!)**

Fig. 1

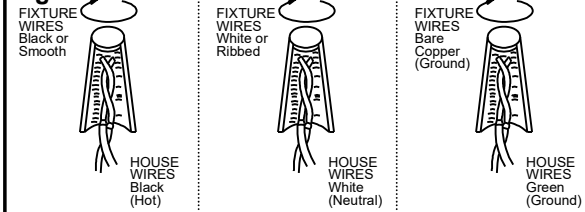
Set#A-022-124
 Mounting Plate x1pc
 Ground Screw x1pc
 Junction box Screw x2pcs



Rod#
D1. W30-H-287
D2. W30-1-287

Glass Shade#
G3194 (3194-287)
G3195 (3195-287)

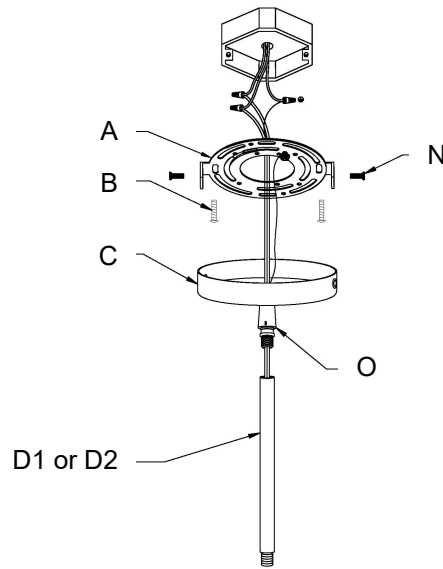
Fig. 2



Your installation is now complete. Return power to the junction box and test the fixture.

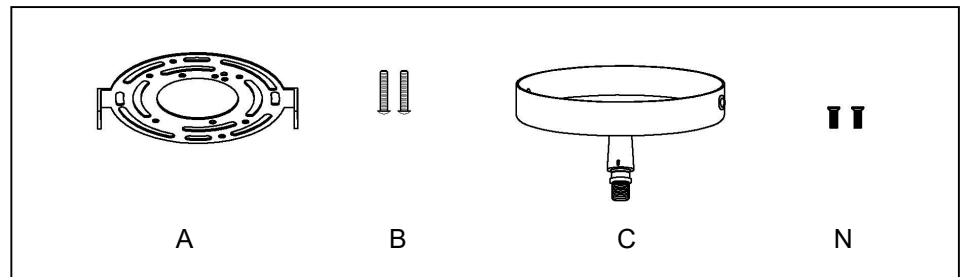
Note: Illustration (Fig. 1) on this manual is for installation purposes only. It may or may not be identical to the fixture purchased.

Fig.3



a. Hardware Bag

- A. Mounting Plate x 1pc
- B. Junction Box
Screw x 2pcs
- C. Canopy x 1pc
- N. Mounting Screw x 2pcs



b. Hardware Bag

- D1. Rod 6" x1pc
- D2. Rod 12" x3pcs

