

# INSTALLATION INSTRUCTIONS

Item#3208-781 (New.05/08/2023)

## READ AND SAVE THESE INSTRUCTIONS

**WARNING! SHUT POWER OFF AT FUSE OR CIRCUIT BREAKER.**

**AVERTISSEMENT! COUPER LE COURANT AU NIVEAU DES FUSIBLES OU DU DISJONCTEUR.**

### PREPARATION (Fig. 1)

1. Shut off power at the fuse box or circuit breaker box and remove the old fixture including the mounting hardware.
2. Carefully unpack your new fixture and lay out all the parts in a clean area. Take care not to misplace any small parts necessary for installation.

### ASSEMBLING THE FIXTURE (Fig.1&Fig.3)

3. Determine the desired hanging height and thread rods (G1, G2) to coupling (H) of fixture body. Carefully pass wires through each rod during assembly. Secure swivels (F) onto rods (G1, G2).
4. Align canopy (E) followed by support cable (one set provided) and steel washer (D) onto swivels (F) and secure with hexagon nuts (C) via wrench (Q) provided.
5. Attach mounting plate (A) to the junction box (not included) with junction box screws (B) (Size: #8-32N\*L1"). The side of the mounting plate (A) with "GND" marked on it and two convex points must face out.
6. Support cable is provided to support weight of fixture while wiring. Align fixture to mounting plate (A) and attach hook (O) on the end of support cable into a slot located on mounting plate (A). Carefully allow support cable to support weight of fixture while wiring (Fig.1 Fig3).

### CONNECTING THE WIRES (Fig. 2)

7. Connect the electrical wires as shown in fig.2, making sure that all wire connectors are secured. If junction box has a ground wire (green or bare copper), connect the fixture's ground wire to it. Otherwise, connect the fixture's ground wire directly to the mounting plate (A) using the green screw provided.
8. Tuck the wire connectors neatly into the junction box.

### COMPLETING THE INSTALLATION (Fig. 1)

9. Raise canopy (E) and align the holes with mounting plate (A) and secure with mounting screws (P) (Size: #8-32N\*L0.5").
10. Place candle covers (K) over sockets (J).
11. Install (8) eight candelabra base bulbs up to 60 watts each or CFL or LED equivalent (not included) in accordance with the fixture specification—**DO NOT EXCEED THE MAXIMUM WATTAGE RATING! (NE PAS DEPASSER LA PUISSANCE NOMINALE MAXIMALE!)**
12. Place glass shades (L) and caps (M) over bulbs and candle covers (K). Secure to bobeches (I) with metal rings (N).

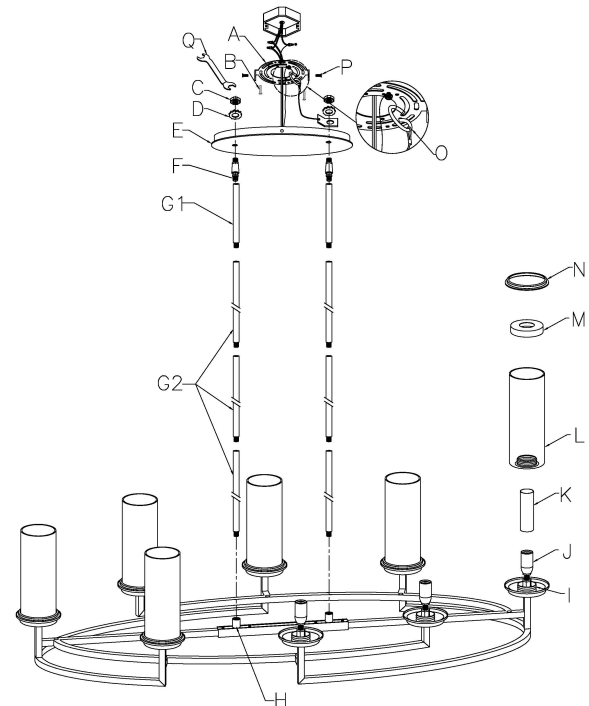
Your installation is now complete. Return power to the junction box and test the fixture.

### Note:

**Illustration (Fig. 1) on this manual is for installation purposes only. It may or may not be identical to the fixture purchased.**

**Fig. 1**

Set#A-022-115A  
Mounting Plate x1pc  
Ground Screw x1pc  
Junction Box Screw x2pcs

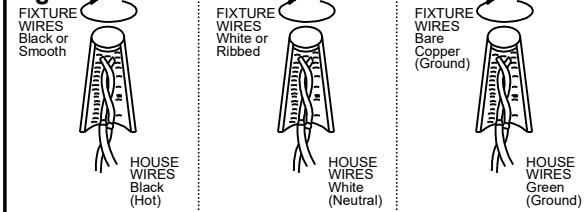


Rod#  
G1.W30-H-66  
G2.W30-1-66

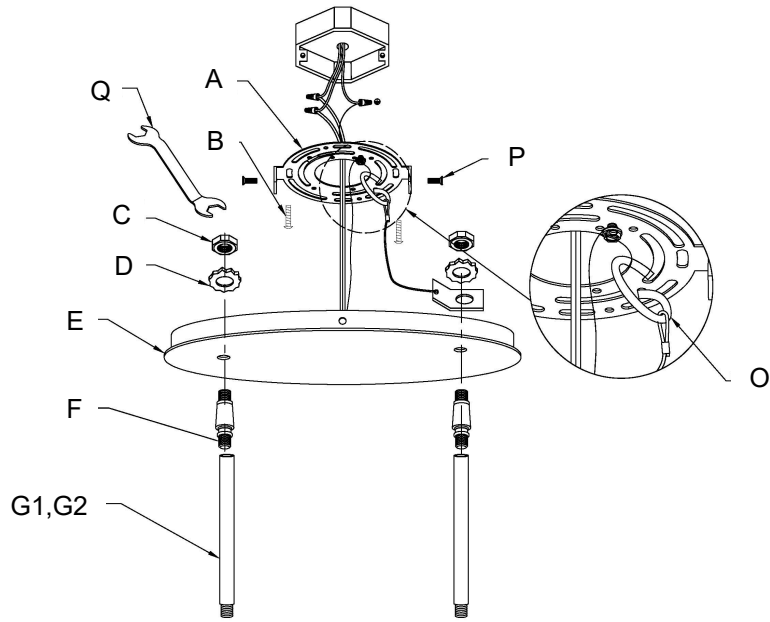
Glass Shade#G3201

Candle Cover# CCV27087P-695

**Fig. 2**

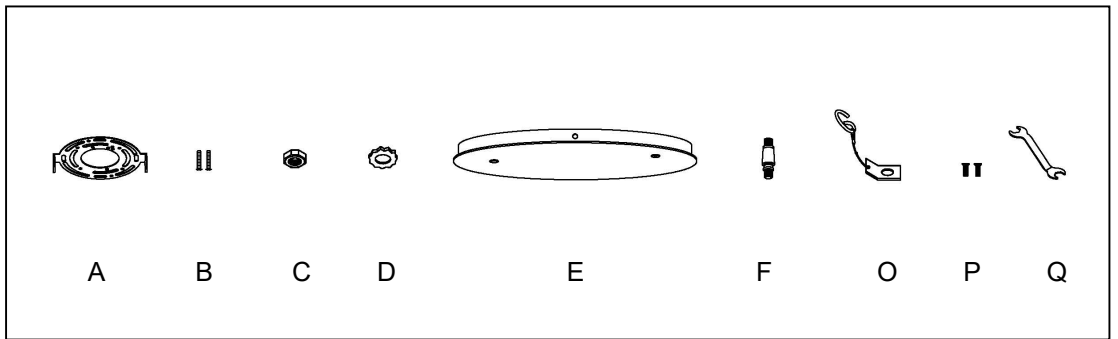


**Fig.3**



**a. Hardware Bag**

- A. Mounting Plate x 1pc
- B. Junction Box  
Screw x 2pcs
- C. Hexagon Nut x 2pcs
- D. Steel Washer x 2pcs
- E. Canopy x 1pc
- F. Swivel x 2pcs
- O. Support Cable x 1pc
- P. Mounting Screw x 2pcs
- Q. Wrench x 1pc



**b. Hardware Bag**

- G1. Rod 6" x 2pc
- G2. Rod 12" x 6pcs

