

INSTALLATION INSTRUCTIONS

Item#3209-781 (New.05/08/2023)

READ AND SAVE THESE INSTRUCTIONS

WARNING! SHUT POWER OFF AT FUSE OR CIRCUIT BREAKER.

AVERTISSEMENT! COUPER LE COURANT AU NIVEAU DES FUSIBLES OU DU DISJONCTEUR.

PREPARATION (Fig. 1)

1. Shut off power at the fuse box or circuit breaker box and remove the old fixture including the mounting hardware.
2. Carefully unpack your new fixture and lay out all the parts in a clean area. Take care not to misplace any small parts necessary for installation.

ASSEMBLING THE FIXTURE (Fig.1&Fig.3)

3. Adjust rods (H) to proper position and hang on hooks (I) on the fixture ring.
4. Pull out excess wires (O) from coupling (G) and place cap (F) over coupling (G) on the fixture.
5. Determine the desired hanging height, carefully feed wires through each rod (E1,E2) and assemble rods (E1,E2), one end of the assembled rods (E1,E2) threads on coupling (G) another end threads on swivel (D).
6. Attach mounting plate (A) to the junction box (not included) with junction box screws (B) (Size: #8-32N*L1"). The side of the mounting plate (A) with "GND" marked on it and two convex points must face out.
7. Support cable is provided to support weight of fixture while wiring. Align fixture to mounting plate (A) and attach hook (P) on the end of support cable into a slot located on mounting plate (A). Carefully allow support cable to support weight of fixture while wiring (Fig.1 Fig3).

CONNECTING THE WIRES (Fig. 2)

8. Connect the electrical wires as shown in fig.2, making sure that all wire connectors are secured. If junction box has a ground wire (green or bare copper), connect the fixture's ground wire to it. Otherwise, connect the fixture's ground wire directly to the mounting plate (A) using the green screw provided.
9. Tuck the wire connectors neatly into the junction box.

COMPLETING THE INSTALLATION (Fig. 1)

10. Raise canopy (C) and align the holes with mounting plate (A) and secure with mounting screws (Q) (Size: #8-32N*L0.5").
11. Place candle covers (K) over sockets (J).
12. Install (9) nine candelabra base bulbs up to 60 watts each or CFL or LED equivalent (not included) in accordance with the fixture specification—**DO NOT EXCEED THE MAXIMUM WATTAGE RATING! (NE PAS DEPASSER LA PUISSANCE NOMINALE MAXIMALE!)**
13. Place glass shades (L) and caps (M) over bulbs and candle covers (K). Secure to bobeches (R) with metal rings (N).

Your installation is now complete. Return power to the junction box and test the fixture.

Note:

Illustration (Fig. 1) on this manual is for installation purposes only. It may or may not be identical to the fixture purchased.

Fig. 1

Set#A-022-115B
Mounting Plate x1pc
Ground Screw x1pc
Junction Box Screw x2pcs

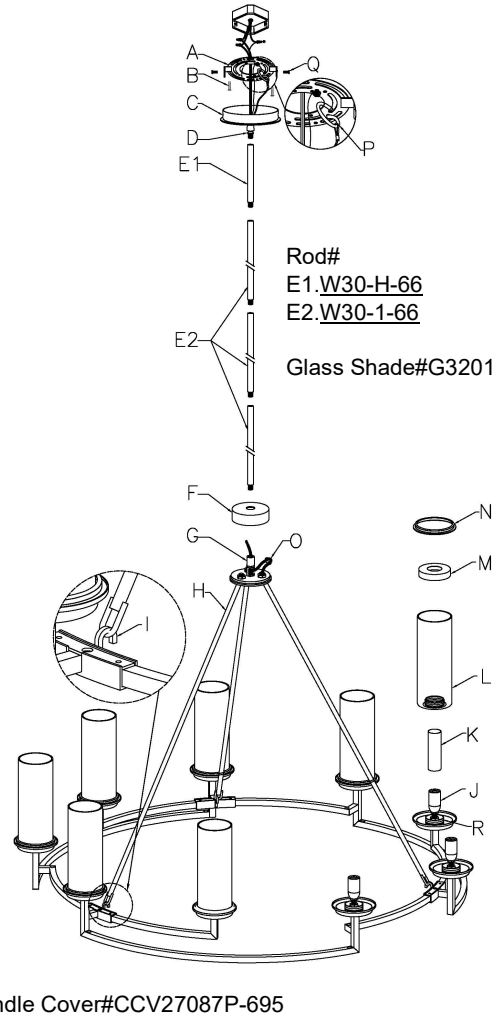


Fig. 2

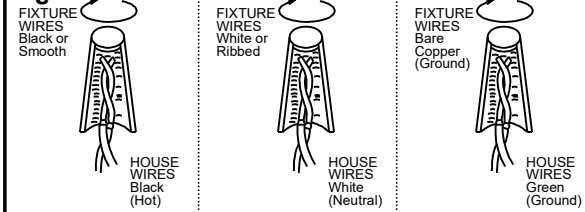
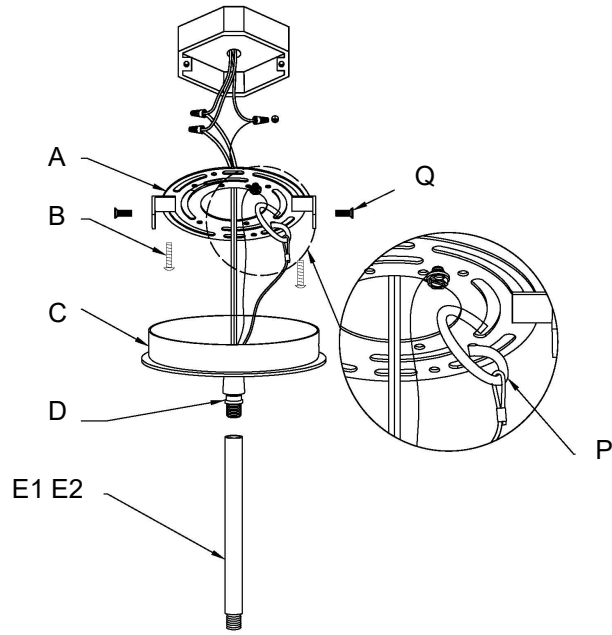
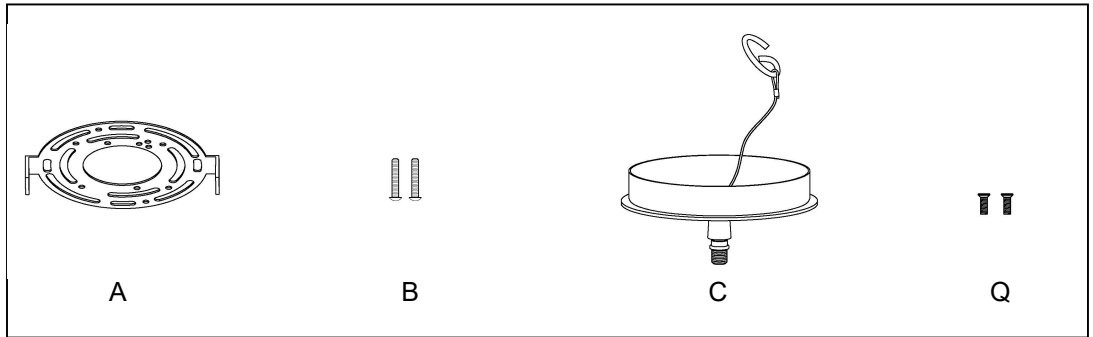


Fig.3



a. Hardware Bag

- A. Mounting Plate x 1pc
- B. Junction Box
Screw x 2pcs
- C. Canopy x 1pc
- Q. Mounting Screw x 2pcs



b. Hardware Bag

- E1. Rod 6" x1pc
- E2. Rod 12" x3pcs

