

# INSTALLATION INSTRUCTIONS

Item #3296-613 (New. 11/18/2015)

**READ AND SAVE THESE INSTRUCTIONS**

**WARNING! SHUT POWER OFF AT FUSE OR CIRCUIT BREAKER.**

**AVERTISSEMENT! COUPER LE COURANT AU NIVEAU DES FUSIBLES OU DU DISJONCTEUR.**

## ASSEMBLING THE FIXTURE (Fig.1)

1. Shut off the power at the fuse box or circuit breaker. If necessary, remove the old fixture, including the mounting hardware.
2. Carefully unpack the new fixture and lay out all the parts on a clear area. Take care not to lose any parts necessary for installation.
3. Thread Screw (A) into the pre-drilled holes in the circular strap (B) spaced the same distance apart as the holes in the back-plate and secure with Hex Nut (C).
4. Attach the circular strap (B) to the outlet box using the Mounting screws (D). The side of the mounting plate marked "GND" must face out.

## CONNECTING THE WIRES (Fig. 2)

5. At this point, connect the electrical wire as shown in figure 2, making sure that all wire connectors are secured. If your outlet has a ground wire (green or bare copper), connect the fixtures ground wire to it. Otherwise, connect the fixture ground wire directly to the circular strap and secure with the green screw provided. After wires are connected, tuck them carefully into the ceiling junction box.

## FINISHING THE INSTALLATION (Fig. 1)

6. Place canopy (E) over the screw (A) and fasten with knurled knob (F).
7. Place the metal tubes (H) over the socket (I) of the fixture body.
8. Install the light bulb(s) (not included) in accordance with the fixture's specifications. **(DO NOT EXCEED THE MAXIMUM WATTAGE RATING!) (NE PAS DEPASSER LA PUISSANCE NOMINALE MAXIMALE!).**

Your installation is now complete. Return power to the junction box and test the fixture.

**Note: Illustration (Fig. 1) on this manual is for installation purposes only. It may or may not be identical to the fixture purchased.**

Fig. 1

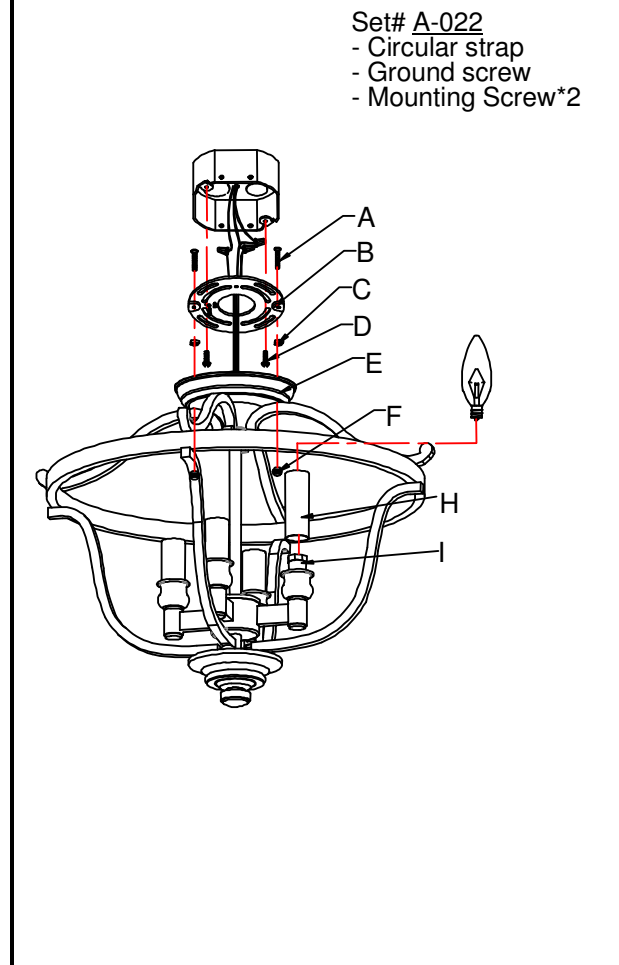
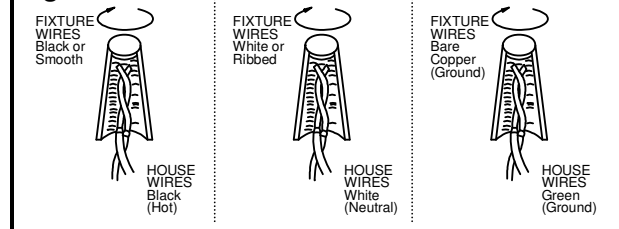


Fig. 2



LA-2524E