

# INSTALLATION INSTRUCTIONS FOR FIXTURE #3332-84

(Convertible lamps for Chandelier)

**WARNING! SHUT POWER OFF AT FUSE OR CIRCUIT BREAKER.**  
**AVERTISSEMENT! COUPER LE COURANT AU NIVEAU DES FUSIBLES OU DU DISJONCTEUR.**

## ASSEMBLING THE FIXTURE (Fig. 1)

1. Shut off the power at the fuse box or circuit breaker. If necessary, remove the old fixture including the mounting hardware.
2. Carefully remove the fixture from the carton and check that all parts are included as shown in the illustration.
3. Remove the canopy from top of the fixture body (F) by unscrewing the nut.
4. Thread the fixture loop (A) onto the nipple (B) until snug.
5. Thread the long nipple (G) to bottom of the fixture body (F), then slide the cap (H) over the long nipple (G) and secure with the finial (I).
6. Install the light bulbs in accordance with fixture's specifications. **(DO NOT EXCEED THE MAXIMUM WATTAGE RATING!)** (NE PAS DEPASSER LA PUISSANCE NOMINALE MAXIMALE!).

## MOUNTING THE FIXTURE (Fig. 2)

1. Thread the nipple (S) into the collar loop (T) until snug.
2. Thread the other end of nipple (S) into the cross bar (P).
3. Place lock washer (Q) and hex nut (R) over the end of nipple (S) protruding through cross bar (P), then thread hex nut (R) to nipple (S) until snug.
4. Take this crossbar assembly and mount to ceiling outlet box (V) using outlet box screw (W). The side of cross bar marked "GND" must face out.
5. Use proper chain pliers to open one end link of the chain and connect to the fixture loop (A). Close the link.
6. By measuring, determine the correct number of links needed for proper hanging height. Using the chain pliers, disconnect and discard the remaining chain.
7. Carefully lace the fixture wires through the chain (X).
8. Slip collar ring (Y) over the chain (X), then do the same with canopy (U).
9. Open the other end link of the chain (X) and connect to the collar loop (T). Close the link.
10. Feed the fixture wires through the collar loop (T) and nipple (S) and pull until tight.

## CONNECTING THE WIRES (See Fig.3)

1. At this point, connect the electrical wires as shown in Fig. 3, making sure that all wire connectors are secured. If your outlet box has a ground wire (green or bare copper), connect the fixture's ground wire to it. Otherwise, connect the fixture's ground wire directly to the crossbar using the green screw provided.
2. Tuck the wire connectors neatly into the ceiling outlet box and raise the canopy (U) and collar ring (Y). Then thread collar ring (Y) onto collar loop (T) protruding through canopy.

Please note that this lamp is convertible from a chandelier to a semi-flush. The wire length is 120" for chandelier, 7" for Semi. You can convert from a chandelier to a semi-flush but **once you cut the wire you are not able to convert back to a chandelier.**

Your installation is complete now. Return power to the junction box and test the fixture.

Fig. 1

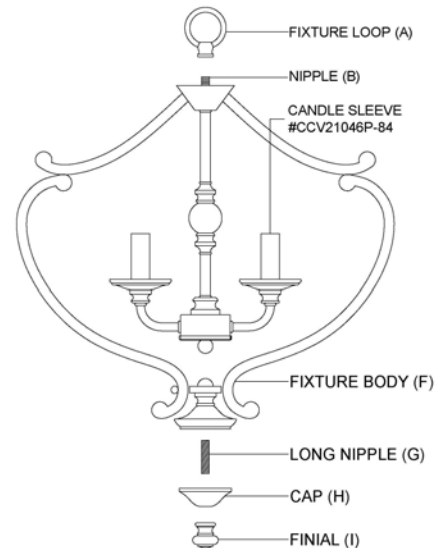


Fig. 2

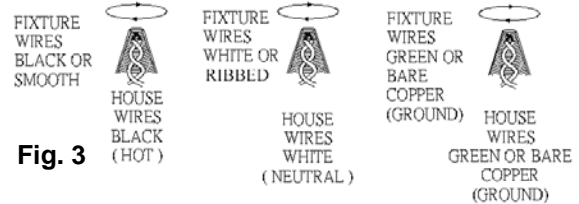
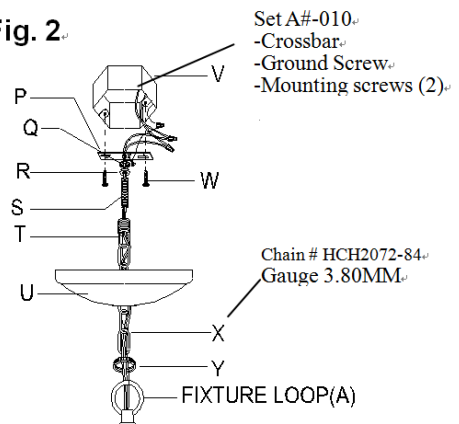


Fig. 3



Notice: It is important to use proper chain pliers (not included) to OPEN and CLOSE the chain included with this fixture. Do not open them with other tools that may twist or stress the chain links. It is important to use proper chain pliers like the ones shown in the diagram.



# INSTALLATION INSTRUCTIONS FOR FIXTURE #3332-84

(Convertible lamps for Semi flushmount)

**WARNING! SHUT POWER OFF AT FUSE OR CIRCUIT BREAKER.  
AVERTISSEMENT! COUPER LE COURANT AU NIVEAU DES FUSIBLES OU DU DISJONCTEUR.**

## ASSEMBLING THE FIXTURE (Fig. 1)

1. Shut off the power at the fuse box or circuit breaker. If necessary, remove the old fixture from the ceiling, including the existing mounting hardware.
2. Carefully remove the new fixture from the carton and check that all parts are included as shown in the illustration.
3. Attach the mounting plate (A) to the outlet box using the outlet box screws (C). The side of the mounting plate (A) marked "GND" must face out.
4. Thread the long nipple (G) to bottom of the fixture body (F), then slide the cap (H) over the long nipple (G) and secure with the finial (I).

## CONNECTING THE WIRES (FIG .2)

1. Connect the electrical wires as shown in Fig. 2, making sure that all wire connectors are secured. If your outlet box has a ground wire (green or bare copper), connect the fixture's ground wire to it. Otherwise, connect the fixture's ground wire directly to the mounting plate using the green screw provided. After wires are connected, tuck them carefully inside the Junction Box.
2. Attach the fixture body (F) onto the outlet box by protruding mounting screws (B) through mounting holes on the canopy (D) and secure with ball nuts (E).
3. Install the bulbs in accordance with the fixture's specifications. **(DO NOT EXCEED THE MAXIMUM WATTAGE RATING!) (NE PAS DEPASSER LA PUISSANCE NOMINALE MAXIMALE!).**

Please note that this lamp is convertible from a chandelier to a semi-flush. The wire length is 120" for chandelier, 7" for Semi. You can convert from a chandelier to a semi-flush but **once you cut the wire you are not able to convert back to a chandelier.**

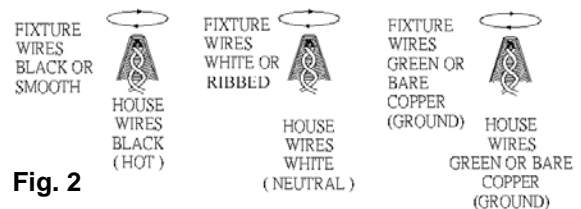
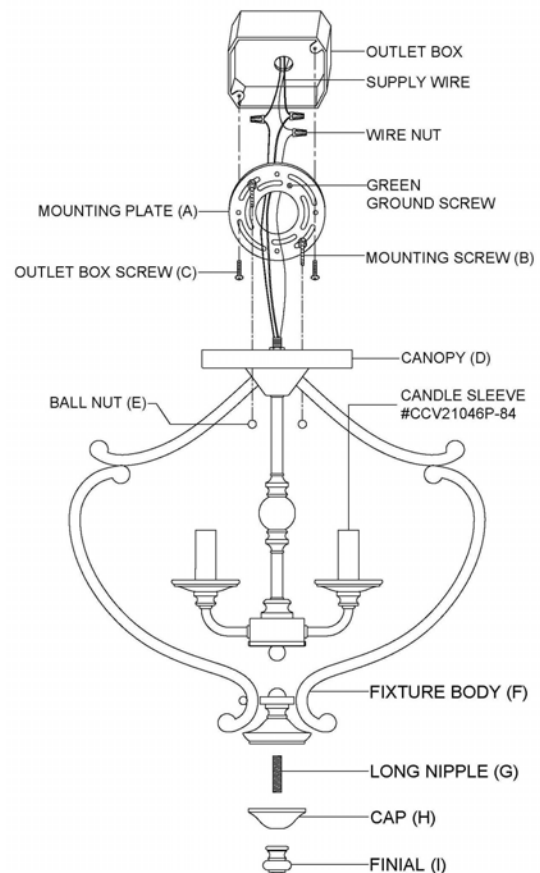
Your installation is now complete. Return power to the junction box and test the fixture.

**Note: Illustration (Fig.1) on this manual is for installation purposes only. It may or may not be identical to the fixture purchased.**

**Fig. 1**

Set A-020

- Mounting plate
- Ground Screw
- Mounting Screws (2)



**Fig. 2**

