

INSTALLATION INSTRUCTIONS

Item#3394-754 3395-754 3396-754 (New.05/29/2023)

READ AND SAVE THESE INSTRUCTIONS

WARNING! SHUT POWER OFF AT FUSE OR CIRCUIT BREAKER.

AVERTISSEMENT! COUPER LE COURANT AU NIVEAU DES FUSIBLES OU DU DISJONCTEUR.

PREPARATION (Fig. 1)

1. Shut off power at the fuse box or circuit breaker box and remove the old fixture including the mounting hardware.
2. Carefully unpack your new fixture and lay out all the parts in a clean area. Take care not to misplace any small parts necessary for installation.

ASSEMBLING THE FIXTURE (Fig.1&Fig.3)

3. Screw cluster (I) onto rod (H). Pass the wires carefully through swivel (G) and screw the another end of rod (H) to swivel (G).
4. Determine the desired hanging height. Pass the wires carefully through each rod as you assembled. Thread one end of rods (E1 or E2) to coupling (F) and secure the other end of rod (E1 or E2) to swivel (D).
5. Position mounting plate (A) on the ceiling and mark the location of two plastic anchors (L). Pre-drill the holes for plastic anchors (L). Insert plastic anchors (L) into the ceiling.
6. Attach mounting plate (A) to the junction box (not included) with junction box screws (B) (Size: #8-32N*L1") and wood screw (N) into plastic anchors (L). The side of the mounting plate (A) with "GND" marked on it and two convex points must face out.
7. Support cable is provided to support weight of fixture while wiring. Align fixture to mounting plate (A) and attach hook (J) on the end of support cable into a slot located on mounting plate (A). Carefully allow support cable to support weight of fixture while wiring (Fig.1 Fig3).

CONNECTING THE WIRES (Fig. 2)

8. Connect the electrical wires as shown in fig.2, making sure that all wire connectors are secured. If junction box has a ground wire (green or bare copper), connect the fixture's ground wire to it. Otherwise, connect the fixture's ground wire directly to mounting plate (A) using the green screw provided.
9. Tuck the wire connectors neatly into the junction box.

COMPLETING THE INSTALLATION (Fig. 1)

10. Raise canopy (C) and align the holes with mounting plate (A) and secure with mounting screws (K) (Size: #8-32N*L0.5").
11. Install candelabra base bulbs 【3394-754 four (4) pcs, 3395-754 five (5) pcs, 3396-754 six (6) pcs】 up to 60 watts each or CFL or LED equivalent (not included) in accordance with the fixture specification—**DO NOT EXCEED THE MAXIMUM WATTAGE RATING! (NE PAS DEPASSER LA PUISSANCE NOMINALE MAXIMALE!)**

Your installation is now complete. Return power to the junction box and test the fixture.

Note: Illustration (Fig. 1) on this manual is for installation purposes only. It may or may not be identical to the fixture purchased.

Fig. 1

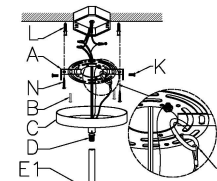
Set#A-022-145

Candle Cover# CCV20076P-754

Mounting Plate x1pc

Ground Screw x1pc

Junction box Screw x2pcs



Rod#

E1.W35-H-754

E2. W35-1-754

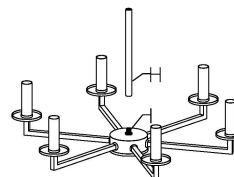
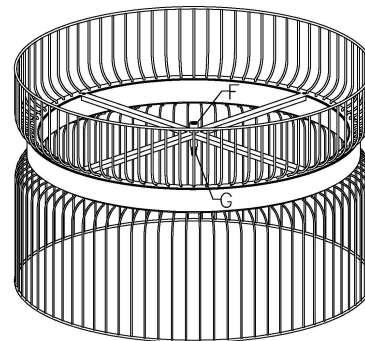


Fig. 2

FIXTURE WIRES
Black or
Smooth



HOUSE WIRES
Black
(Hot)

FIXTURE WIRES
White or
Ribbed



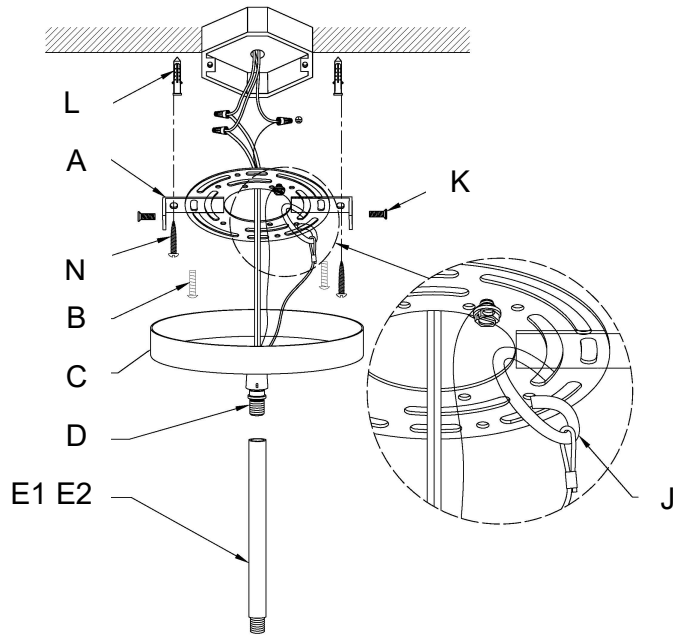
HOUSE WIRES
White
(Neutral)

FIXTURE WIRES
Bare
Copper
(Ground)



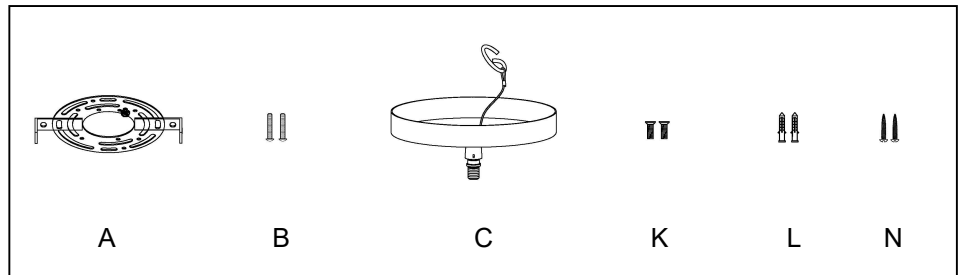
HOUSE WIRES
Green
(Ground)

Fig.3



a. Hardware Bag

- A. Mounting Plate x 1pc
- B. Junction Box
Screw x 2pcs
- C. Canopy x 1pc
- K. Mounting Screw x 2pcs
- L. Plastic Anchor x 2pcs
- N. Wood Screw x 2pcs



b. Hardware Bag

- E1. Rod 6" x1pc
- E2. Rod 12" x3pcs

