

# INSTALLATION INSTRUCTIONS

Item#342 (New. 02/20/2012)

READ AND SAVE THESE INSTRUCTIONS

**WARNING! SHUT POWER OFF AT FUSE OR CIRCUIT BREAKER.**

**AVERTISSEMENT! COUPER LE COURANT AU NIVEAU DES FUSIBLES OU DU DISJONCTEUR.**

## MOUNTING THE FIXTURE (Fig. 1)

1. Carefully remove the fixture from the carton and check that all parts are included as shown in the illustration.
2. Shut off the power at the fuse box or circuit breaker. If necessary, remove the old fixture including the mounting hardware.
3. Attach the circular strap (A) over the outlet box using the mounting screws (B) (Size: #8-32N\*L0.5"), the side of the circular strap (A) marked "GND" must face out.
4. Thread the two studs (C) part way into the circular strap (A).

## CONNECTING THE WIRES (Fig. 2)

5. At this point, connect the electrical wires as shown in figure 2, making sure that all wire connectors are secured. If your outlet box has a ground wire (green or bare copper), connect the fixture's ground wire to it and secure with the wire connectors, otherwise, connect the fixture's ground wire directly to the crossbar using the green screw provided. After wires are connected, tuck them carefully into the ceiling junction box.

## COMPLETING THE INSTALLATION (Fig. 1)

6. Place the backplate (E) over the two studs (C) through the holes, then secure the backplate (E) against the wall with the two cap nuts (D).
7. Install the light bulb(s) (not included) in accordance with the fixture's specification. **(DO NOT EXCEED THE MAXIMUM WATTAGE RATING!!) (NE PAS DEPASSER LA PUISSANCE NOMINALE MAXIMALE!).**
8. Slide the glass (F) onto the backplate (E) and set into place.

Your installation is now complete. Return power to the junction box and test the fixture.

Note: Illustration (Fig. 1) on this manual is for installation purposes only. It may or may not be identical to the fixture purchased.

Fig. 1

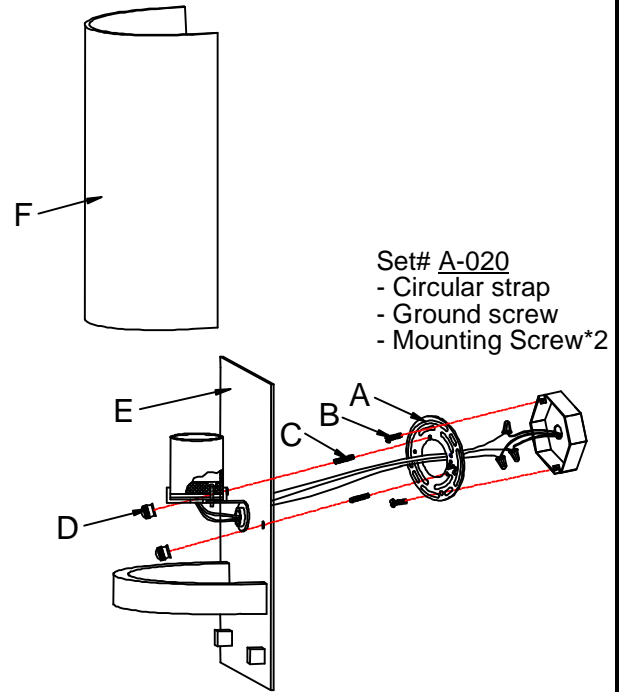
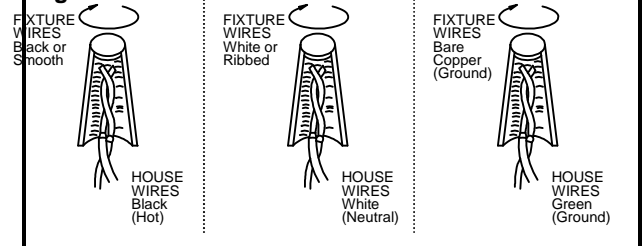


Fig. 2



MIN 90°C SUPPLY CONDUCTORS

