

INSTALLATION INSTRUCTIONS

Item# 3464-788

READ AND SAVE THESE INSTRUCTIONS

WARNING! SHUT POWER OFF AT FUSE OR CIRCUIT BREAKER.
VERTISEMENT! COUPER LE COURANT AU NIVEAU DES FUSIBLES OU DU DISJONCTEUR.

ASSEMBLING THE FIXTURE (Fig. 1)

1. Shut off power at the fuse box or circuit breaker box and remove the old fixture including the mounting hardware.
2. Carefully unpack your new fixture and lay out all the parts in a clean area. Ensure not to misplace any small parts necessary for installation.
3. Your fixture is supplied with 2 sizes of stems, 1x 6" and 3x 12".
4. To begin assembly of your fixture, first thread the stem (L) onto threaded tube (1). Determine the desired hanging height and thread rods (K1, K2, & K3) with the fixture loop (J) and tighten.
5. Carefully pass wires through each rod during assembly.

HANGING THE FIXTURE (Fig. 2)

6. Thread all thread (D) into ceiling loop (F) until snug.
7. Thread other end of all thread (D) into crossbar. Note: The length of all thread (D) into crossbar maybe adjusted if necessary.
8. Use lock washer (B) and hex nut (E) to secure all thread (D) to crossbar (A).
9. Take crossbar assembly and mount to junction box (JB) "not provided" with 8-32 mounting screws. The side of crossbar (A) marked with "GND" must be face out. Note: 1x quick link (G) is provided.
10. Open quick link (G) and connect to loops (F/J). Then close the quick link
11. Slip canopy (H) and collar ring (I) over quick link (G) and allow them to rest in fixtures loop (J).
12. Feed fixture wires through ceiling loop (F), crossbar assembly and all thread (D).

CONNECTING THE WIRE (Fig. 3)

13. Connect the electrical wire as shown in Fig. 3, making sure that all the wire connectors are secured. If your junction box has a ground wire (green, or bare copper), connect fixture's ground wire to it. Otherwise connect fixture ground wire directly to crossbar (A) using green screw provided.
14. Tuck wire connections neatly into junction box (JB).
15. Raise canopy over ceiling loop (F) and secure with collar ring (I).

FINISHING THE FIXTURE (Fig. 1)

16. Your fixture is supplied with 2 sizes of alabaster panels (APS, APL) and hammered panels (HPS, HPL).
17. Install alabaster panel (APL), (APS) and hammered panel (HPL) (HPS) onto frame (2) following the diagram shown at Fig.1 for the positioning of the alabaster and hammered panel.
18. Lock the panels with set screws provided using a phillips or flat head screwdriver.
19. Install 8x E12 base light bulbs (LB) up to 60 watts each or CFL or LED equivalent (not included) in accordance with the fixture specification.

FIG. 1

Set# A-
-Crossbar
-Ground screw
-Mounting Screw *2
ROD #
W35-1-788*3 (K1,K2,K3)
W35-H-788*1 (L)

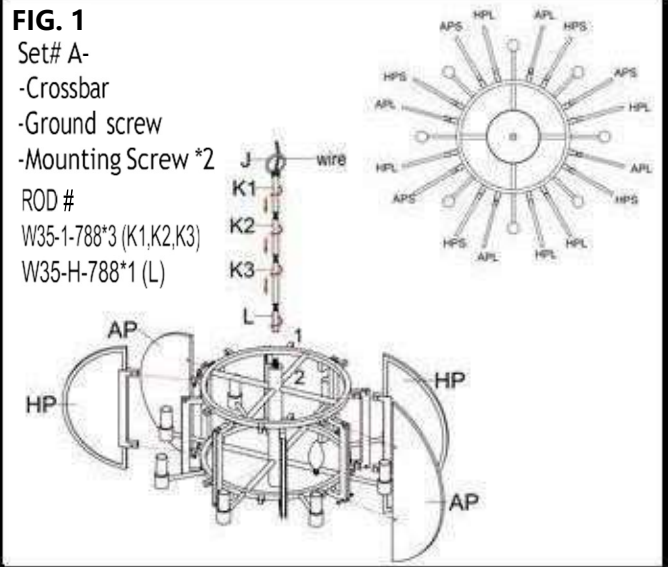


FIG. 2

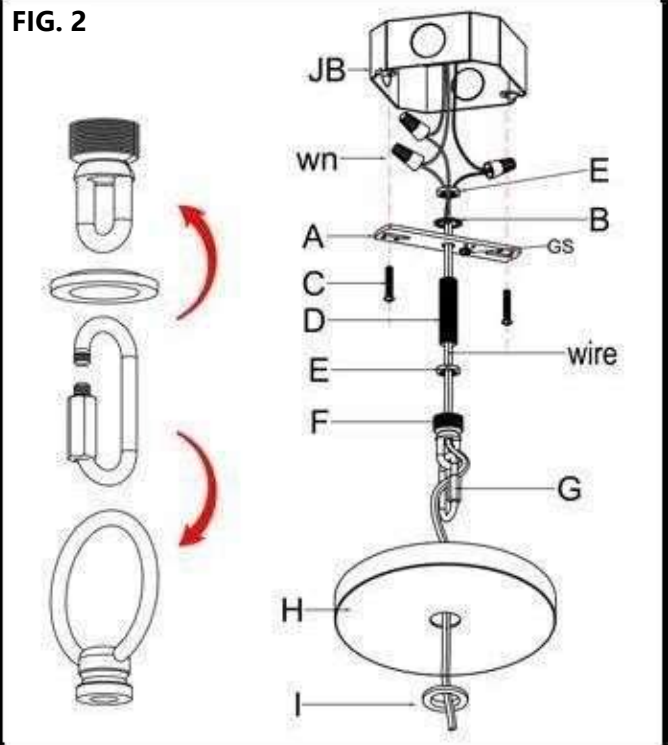
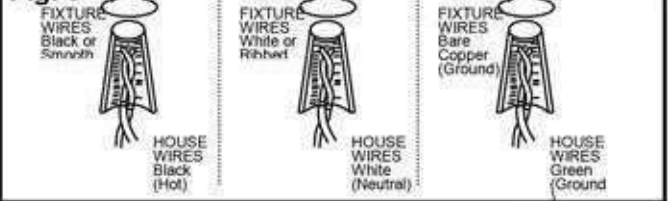


Fig. 3



DO NOT EXCEED THE MAXIMUM WATTAGE RATING!
(NE PAS DEPASSER LAPUISSANCE NOMINALE MAXIMALE!)

Your installation is now complete. You can now turn the power ON and test the fixture.

Note: Illustration (Fig. 1) on this manual is for installation purposes only. It may or may not be identical to the fixture purchased.