

# INSTALLATION INSTRUCTIONS FOR 3475-732-L

## For LED PENDANT

### READ AND SAVE THESE INSTRUCTIONS

**WARNING! SHUT POWER OFF AT FUSE OR CIRCUIT BREAKER**  
**AVERTISSEMENT! COUPER LE COURANT AU NIVEAU DES FUSIBLES OU DO DISJONCTEU**

#### ASSEMBLING THE FIXTURE (Fig.1 & Fig.2)

1. Shut off power at the fuse box or circuit breaker box and remove the old fixture including the mounting hardware.
2. Carefully unpack your new fixture and lay out all the parts in a clear area. Take care not to misplace any small parts necessary for installation.
3. Thread the two screws (D) into the pre-drilled holes on the crossbar (A) spaced the same distance apart as the holes in canopy (E). Adjust the length of the screw (D) according to the height of the canopy and secure it tightly with the hex nut (T). Attach the crossbar (A) to the junction box (not included) using mounting screws (C) (Size: 8-32\*1/2"L). The side of the crossbar marked "GND" must face out.
4. Adjust three rods (J) to triangular distribution so that they can fit with the fixture (K).
5. Connect the two wire connectors (M1/M2). Then secure the rods (J) to the fixture (K) tightly with screws (L).
6. Fixture includes three 12" and one 6" rods. Determine desired hanging height and thread rods (H1/H2) to all thread (I). If installing with one 6" rod only the all thread must be removed. Then feed fixture wire carefully through each rod.
7. Secure rods to the swivel (F) of canopy (E).
8. The support cable is provided to support the weight of the fixture while wiring. Attach hook (N) on the end of support cable (O) into a slot located on crossbar (A). Carefully allow the support cable to support the weight of the fixture while wiring.
9. Connect the red output wire (marked output +) from driver to the red input wire (marked LED +) from the led module. Connect the black output wire (marked output -) from driver to the black input wire (marked LED -) from led module. See Fig. 2, make sure that all wire connectors are secured.

#### CONNECTING THE WIRES (Fig.3)

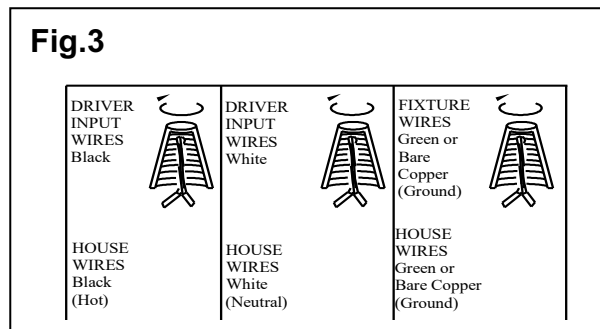
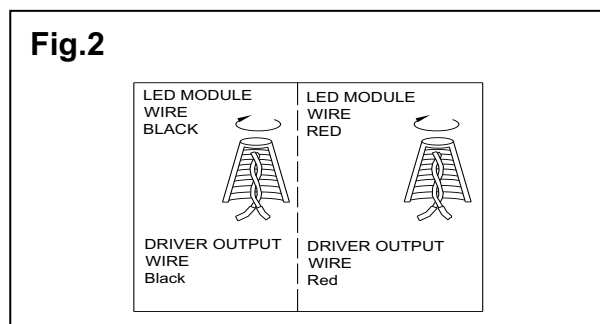
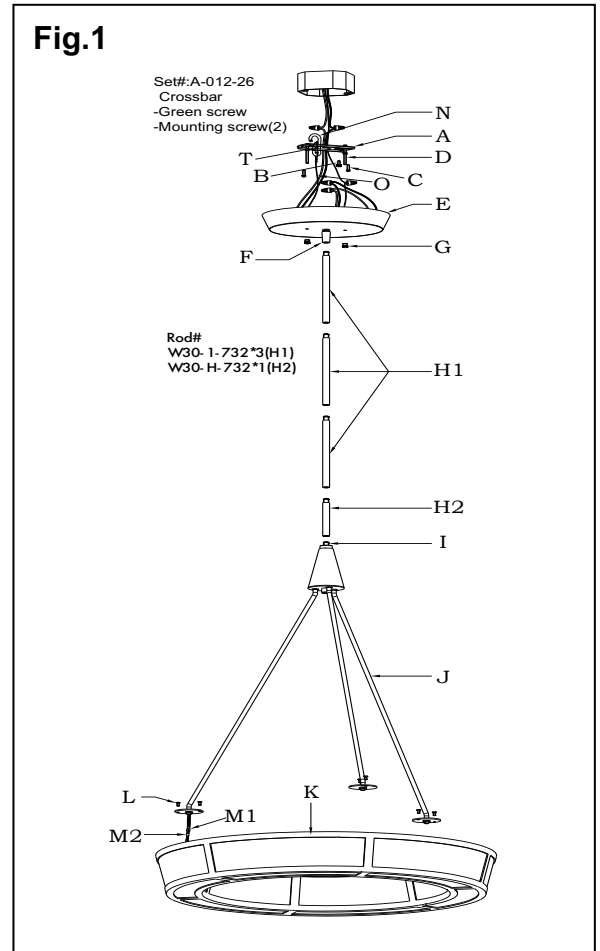
10. Connect the white input wire from the driver to the white wire from the junction box. Connect the black input wire from driver to the black wire from the junction box. If your junction box has a ground wire (green or bare copper), connect the fixtures ground wire to it. Otherwise, connect the fixture ground wire directly to the crossbar (A) using the green screw (B) provided.

#### COMPLETING THE INSTALLATION

11. Align the canopy (E) onto screws (D) and secure with cap nuts (G).

Your installation is now complete. Return power to the junction box and test the fixture.

**CAUTION /ATTENTION:** When handling the fixture, do not apply pressure to the LEDs. Hold the fixture by the base only.



**Replacing LED module (Fig. 4)**

The LED module can be replaced by a qualified electrician without cutting of wire and without damage to any decorative element to which the fixture is attached. See installation steps for more details. (Fig. 4)

**Warning: Turn off power at the circuit breaker before replacing LED module.**

- a. Loosen screws (O), then remove the fixture (K).
  - b. Disconnect the wire connector (M1/M2).
  - c. Loosen screws (P), plastic gasket (R) and nuts (S), then carefully remove LED module (Q).
  - d. Reverse steps a-c for installing the new LED module.
- Note: The LED module should be provided by a specified supplier.

**IMPORTANT:** Fixture should be installed by a qualified electrician to ensure proper wiring and installation.

**Dimmable with ELV and/or LED compatible wall dimmer switches.**

**Fig.4**

