

INSTALLATION INSTRUCTIONS

Item# 3581-795

READ AND SAVE THESE INSTRUCTIONS

WARNING! SHUT POWER OFF AT FUSE OR CIRCUIT BREAKER.

VERTISEMENT! COUPER LE COURANT AU NIVEAU DES FUSIBLES OU DU DISJONCTEUR.

PREPARATION (Fig.1)

1. Shut off power at the fuse box or circuit breaker box and remove the old fixture including the mounting hardware.
2. Carefully unpack your new fixture and lay out all the parts in a clean area. Ensure not to misplace any small parts necessary for installation.

MOUNTING THE FIXTURE

3. To begin, it will be necessary to dis-assemble fixture by first, unscrew the flat head screw (G) at the top and bottom in order to remove the inner (1) and outer (2) frame. Second is remove the mounting plate (A) from back plate (E) by removing 2x ball nuts (D) located on front of the back plate (E).
4. To begin installation, first attach mounting plate (A) to junction box (JB) "not provided" using 8-32 screws (B). Make sure threaded holes are on the side when installing mounting plate. Adjust mounting plate (A) and tighten screws (B) to secure mounting plate. The side of mounting plate (A) with "GND" marked on it and two convex points must face out.

CONNECTING THE WIRES (Fig. 2)

5. Connect the electrical wire as shown in Fig. 2, making sure that all the wire connectors are secured. If your junction box has a ground wire (green, or bare copper), connect fixture's ground wire to it. Otherwise connect fixture ground wire directly to mounting plate (A) using green screw provided.
6. Tuck wire connections neatly into junction box (JB).

FINISHING THE FIXTURE

7. To mount the fixture to the wall, first slip the two mounting screws (C) through mounting holes (F) in back plate (E).
8. While holding fixture in place, thread the two ball nuts (D) at the end of mounting screws (C), and tighten.
9. Install 1x E12 base light bulbs (LB) up to 60 watts each or CFL or LED equivalent (**not included**) in accordance with the fixture specification.
10. Attach inner frame (1) and secure with flat head screw (G) provided then install all crystal panels (cp).
11. Attach outer frame (2) and secure frame to lock at the top and bottom with flat head screw (G) provided then install all alabaster stones (as).

DO NOT EXCEED THE MAXIMUM WATTAGE RATING!

(NE PAS DEPASSER LA PUISSANCE NOMINALE MAXIMALE!)

Your installation is now complete. You can now turn the power ON and test the fixture.

Note: Illustration (Fig. 1) on this manual is for installation purposes only. It may or may not be identical to the fixture purchased.

Fig.1

Set# A-020

- Mounting plate
- Ground screw
- Mounting Screw *2

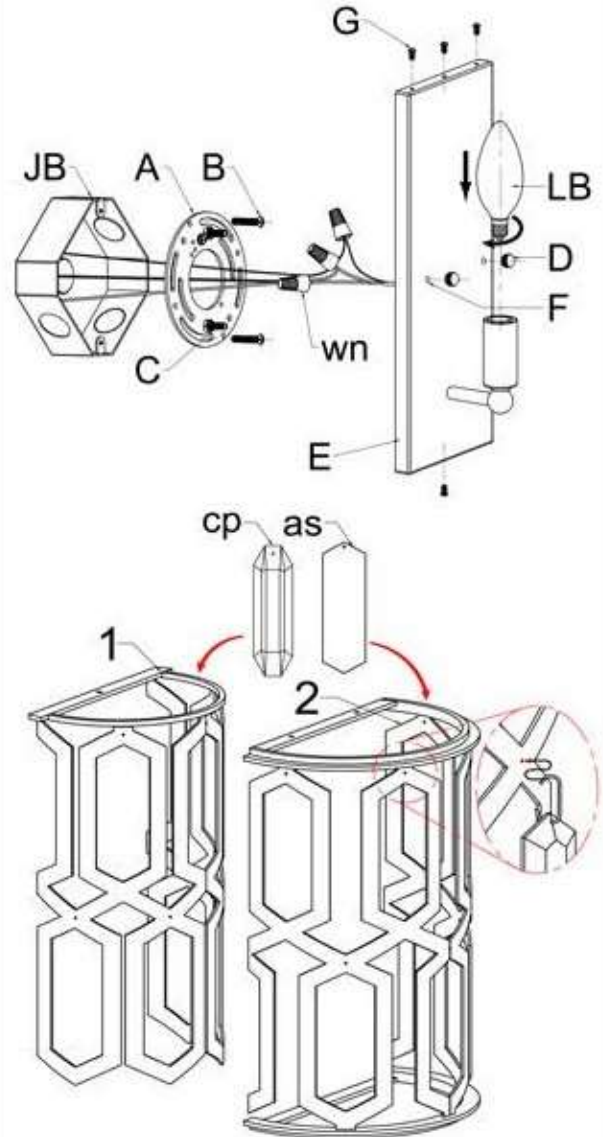


Fig. 2

