

INSTALLATION INSTRUCTIONS FOR FIXTURE #3635-732

WARNING! SHUT POWER OFF AT FUSE OR CIRCUIT BREAKER.
AVERTISSEMENT! COUPER LE COURANT AU NIVEAU DES FUSIBLES OU DU DISJONCTEUR.

ASSEMBLING THE FIXTURE (FIG. 1)

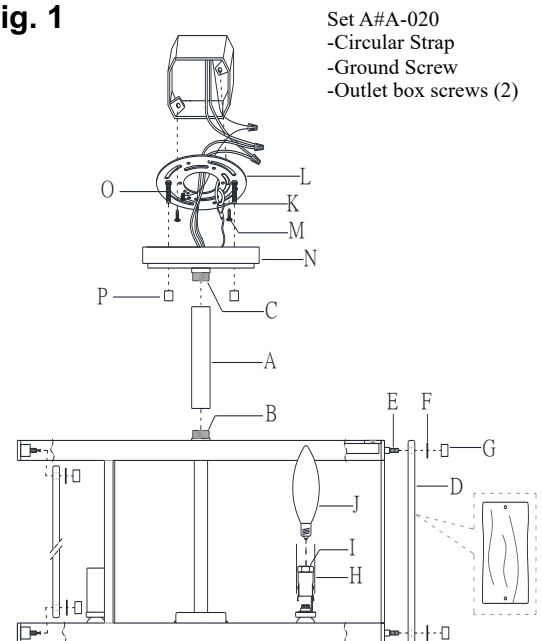
1. Shut off the power at the fuse box or circuit breaker. If necessary, remove the existing fixture and its mounting hardware from the ceiling.
2. Carefully remove the new fixture from the carton and check that all parts are included as shown in the illustration.
3. Thread the column (A) onto the coupling (B) tightly, then thread the nipple (C) on the canopy (N) onto the column (A).
4. Assemble the glass panel (D) onto the fixture body by protruding the screws (E) through the mounting holes on the glass panels (D) and secure with rubber washer (F) & Nut (G) till snug. Do not over tighten.
5. Put the candle sleeve (H) over the socket (I).
6. Install (4) four candelabra bulbs (J) up to 60 watts or CFL or LED equivalent (Not included) in accordance with fixture's specifications.
(DO NOT EXCEED THE MAXIMUM WATTAGE RATING!) (NE PAS DEPASSER LA PUISSANCE NOMINALE MAXIMALE!).
7. Attach the circular strap (L) to the outlet box (not included) using the outlet box screws (M). The side of the circular strap (L) marked "GND" must face out. The length of mounting screw (O) can be adjustable if necessary.
8. The support cable is provided to support the weight of the fixture while wiring. Align the fixture to circular strap (L) and attach hook on the end of support cable (K) into a slot located on circular strap (L). Carefully allow the support cable (K) to support the weight of the fixture while wiring.

CONNECTING THE WIRES (FIG. 2)

9. At this point, connect the electrical wires as shown in figure 2, making sure that all wire connectors are secured. If your outlet has a ground wire (green or bare copper), connect the fixture's ground wire to it. Otherwise, connect the fixture's ground wire directly to the circular strap (L) using the green screw provided.
10. Tuck the wire connectors neatly into the ceiling outlet box. Raise canopy (N) over the outlet box and let the mounting screws (O) protrude through the mounting holes on the canopy (N) and fix with nut (P).

Your installation is now complete. Return power to the outlet box and test the fixture.

Fig. 1



Candle Cover#CCV21072-732

****the above drawing is for reference.****

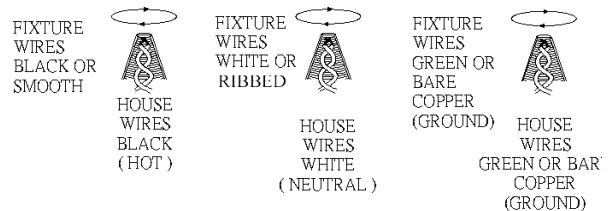


Fig.2