

# INSTALLATION INSTRUCTIONS FOR 3659-695

## For ISLAND

### READ AND SAVE THESE INSTRUCTIONS

#### WARNING! SHUT POWER OFF AT FUSE OR CIRCUIT BREAKER

#### AVERTISSEMENT! COUPER LE COURANT AU NIVEAU DES FUSIBLES OU DO DISJONCTEU

#### ASSEMBLING THE FIXTURE (Fig.1)

1. Shut off power at the fuse box or circuit breaker box and remove the old fixture including the mounting hardware.
2. Carefully unpack your new fixture and lay out all the parts in a clear area. Take care not to misplace any small parts necessary for installation.
3. Position the mounting plate (A) (Set#A-021-360130) onto the ceiling and mark the location of the four drywall anchors (B). Pre-drill holes for the drywall anchors (B) and insert the drywall anchors (B) into ceiling.
4. Attach mounting plate (A) to junction box (not included) with mounting screws (D) (size:8-32\*1/2" L). The side of mounting plate marked "GND" must face out.
5. Place the wood screws (C) through the mounting plate and into the drywall anchors (B).
6. Install tube (M) onto all thread of the fixture body.
7. Adjust chain (K) to the desired hanging height and use a pair of proper chain pliers (not included) to remove and discard excess chain.
8. Attach one quick link (J) to end of chain (K) and then to fixture loop (L). Attach the other quick link to the other end of chain and then to small loop (I) on canopy (G).
9. Carefully feed the wires through chain (K), small loop (I) and canopy (G).
10. The support cable is provided to support weight of fixture while wiring. Align fixture to mounting plate (A) and attach hook (H) on end of support cable into a slot located on mounting plate (A). Carefully allow support cable to support weight of fixture while wiring.

#### CONNECTING THE WIRES (Fig.2)

11. Connect the electrical wires as shown in Fig.2, making sure that all wire connectors are secured. If your junction box has a ground wire (green or bare copper), connect the fixture's ground wire to it. Otherwise, connect the fixture's ground wire directly to the mounting plate (A) using the green screw (E) provided.
12. Tuck wire connectors neatly into the junction box.

#### COMPLETING THE INSTALLATION

13. Raise the canopy (G) to mounting plate (A) and secure with screw (F).
14. Install (12) twelve candelabra base bulbs up to 60 watts each or CFL or LED equivalent (Not included), in accordance with the fixture specification. **(DO NOT EXCEED THE MAXIMUM WATTAGE RATING!) (NE PAS DEPASSER LA PUISSANCE NOMINALE MAXIMALE!)**
15. Insert the screw (N) with plastic washer (O) into the glass (X) hole and lock it with the rod (P) with plastic washer (O) provided, so the glass (X) is fixed on rod (P). Thread the other side of rod (P) onto fixture body tightly as shown in Fig.1. Repeat the same process for the other rods.

Note: Follow the steps to install rods on fixture body as listed below.

1. Install the rods onto the balls on both sides (R): Install the first- and third layer of rod (P), then install the second layer rod (Q). The first layer rod length 80mm has 8pcs (4pcs for each side). The second layer rod length 96mm has 10pcs (5pcs for each side). The third layer rod length 80mm has 8pcs (4pcs for each side).
2. Install the rods onto pipe (T): Install 6pcs 120mmL rod (S) into holes (Y) of pipe (T), then install 16pcs 102mmL rod (U) into holes (V) of pipe (T). Please refer to the label on pipe (T) to install rod (S) and rod (U).

Your installation is now complete. Return power to the junction box and test the fixture.

**IMPORTANT: FIXTURE SHOULD BE INSTALLED BY A QUALIFIED ELECTRICIAN TO ENSURE PROPER WIRING AND INSTALLATION.**

Fig.1

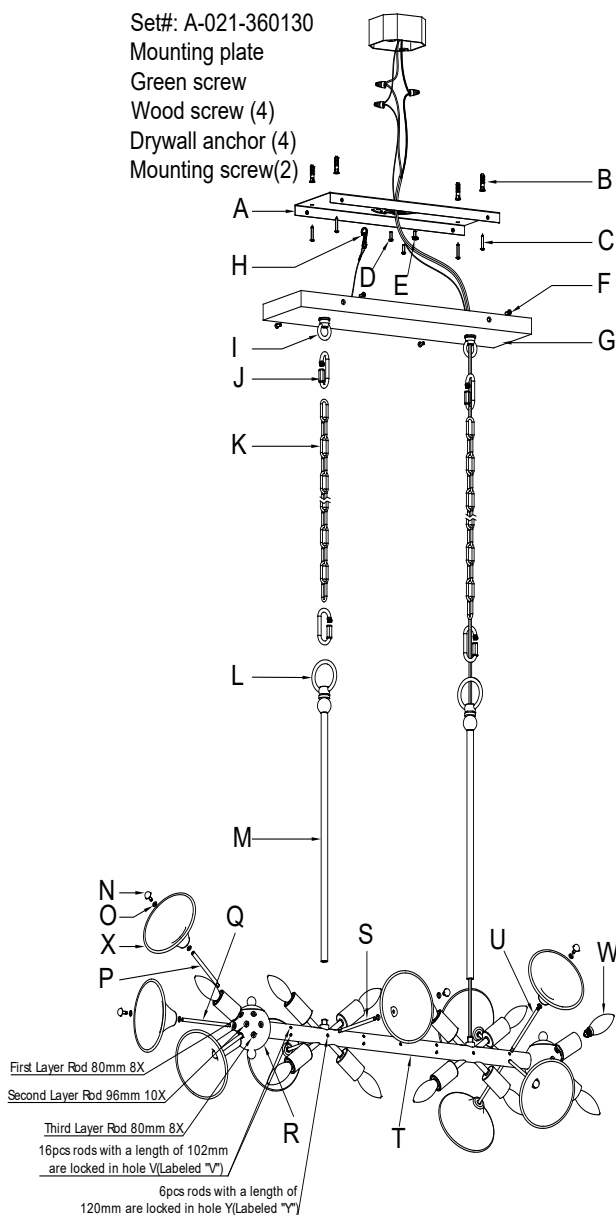
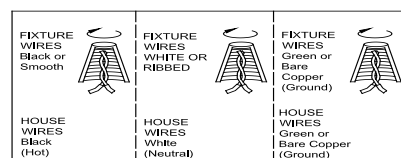


Fig.2



Notice: It is important to use proper chain pliers (not included). To OPEN and CLOSE the chain included with this fixture. Do not open them with other tools that may twist or stress the chain links. It is important to use proper chain pliers like the ones shown in the diagram.