

## INSTALLATION INSTRUCTION FOR FIXTURE #3872-693

**WARNING! SHUT POWER OFF AT FUSE OR CIRCUIT BREAKER.**  
**AVERTISSEMENT! COUPER LE COURANT AU NIVEAU DES FUSIBLES OU DU DISJONCTEUR.**

### MOUNTING THE FIXTURE (FIG. 1)

1. Shut of power at the fuse box or circuit breaker box and remove the old fixture including the mounting hardware.
2. Carefully unpack your new fixture and lay out all the parts in a clean area. Take care not to misplace any small parts necessary for installation.
3. Attach the circular strap (B) to the junction box using the junction box screws (C). The side of the circular strap (B) marked "GND" must face out. Mounting screw (A) can be adjustable if necessary.

### CONNECTING THE WIRES (FIG. 2)

1. Connect the electrical wires as shown in fig.2, making sure that all wire connectors are secured. If your junction box has a ground wire (green or bare copper), connect the fixture's ground wire to it. Otherwise, connect the fixture's ground wire directly to the circular strap (B) using the green screw provided.
2. Tuck the wire connections neatly into the ceiling junction box.

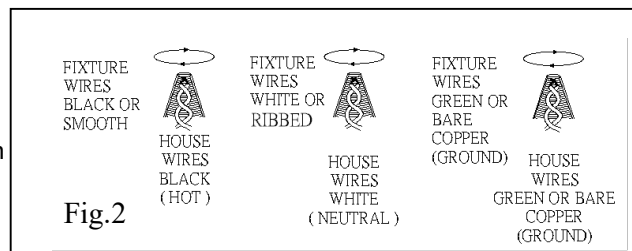
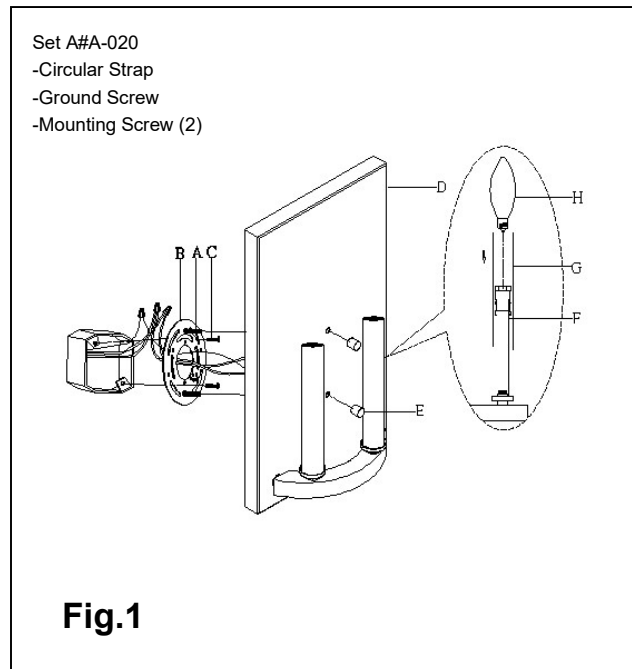
### COMPLETING THE INSTALLATION (Fig. 1)

1. Place the fixture's main body (D) over the circular strap (B) and mounting screws (A), then secure tightly with the bull nuts (E).
2. Install (2) two candelabra base bulbs (H) up to 60 watts each or CFL or LED equivalent (not included) in accordance with the fixture specification—**DO NOT EXCEED THE MAXIMUM WATTAGE RATING! (NE PAS DEPASSER LA PUISSANCE NOMINALE MAXIMALE!)**.

Your installation is now complete. Turn on the power supply to the junction box to test the fixture.

Page:1/2

**Note: Illustration (Fig. 1) on this manual is for installation purposes only. It may or may not be identical to the fixture purchased.**



american  
lighting