

INSTALLATION INSTRUCTIONS

Item#3926-613 (Convertible Lamps For Rods Pendant) (New. 2020/8/03)

READ AND SAVE THESE INSTRUCTIONS

WARNING! SHUT POWER OFF AT FUSE OR CIRCUIT BREAKER.

AVERTISSEMENT! COUPER LE COURANT AU NIVEAU DES FUSIBLES OU DU DISJONCTEUR.

PREPARATION (Fig. 1)

1. Shut of power at the fuse box or circuit breaker box and remove the old fixture including the mounting hardware.
2. Carefully unpack your new fixture and lay out all the parts in a clean area. Take care not to misplace any small parts necessary for installation.

ASSEMBLING THE FIXTURE WITH CHAIN LOOP (Fig.1&Fig. 3)

3. Secure rod (J) onto the all thread (I) on the fixture body.
4. Determine the desired hanging height and thread rods (F1, F2 and F3) to the all thread on rod (J). Screw loop (H1) to rod (F1). Pass the wires carefully through each rod as you assemble
5. Attach the quick link (G) connect to loop (H1) and loop (H2) on the canopy (D). Carefully feed the wire through loop (H1), quick link (G) and loop (H2).
6. Attach the mounting plate (A) to the junction box, not included, with mounting screws (B) (Size: #8-32N*L0.5"). The side of the mounting plate (A) with "GND" marked on it and two convex points must face out.

CONNECTING THE WIRES (Fig. 2)

7. Connect the electrical wires as shown in fig 2, making sure that all wire connectors are secured. If your junction box has a ground wire (green or bare copper), connect the fixture's ground wire to it. Otherwise, connect the fixture's ground wire directly to the mounting plate (A) using the green screw provided.
8. Tuck the wire connectors neatly into the junction box and raise the canopy to the ceiling.

COMPLETING THE INSTALLATION (Fig. 1)

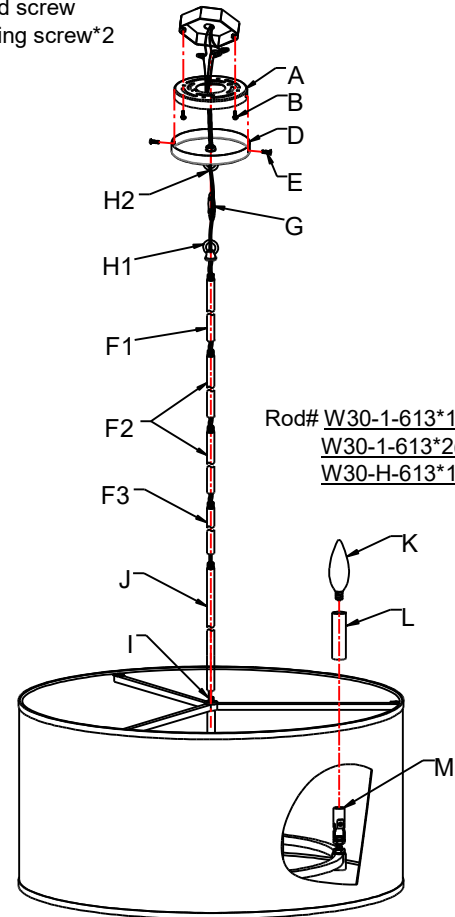
9. Align canopy (D) over the mounting plate (A) and secure with screws (E).
10. Place the candle covers (L) over the sockets (M).
11. Install (6) six candelabra base bulbs (K) up to 60 watts each or CFL or LED equivalent (not included) in accordance with the fixture specification—**DO NOT EXCEED THE MAXIMUM WATTAGE RATING! (NE PAS DEPASSER LA PUISSANCE NOMINALE MAXIMALE!)**

Your installation is now complete. Return power to the junction box and test the fixture.

Note: Illustration (Fig. 1) on this manual is for installation purposes only. It may or may not be identical to the fixture purchased.

Fig. 1

Set#A-021-118DH
-mounting plate
-Ground screw
-Mounting screw*2



Rod# W30-1-613*1(F1)
W30-1-613*2(F2)
W30-H-613*1(F3)

Candle cover# CCV21075P-613

Fig. 2

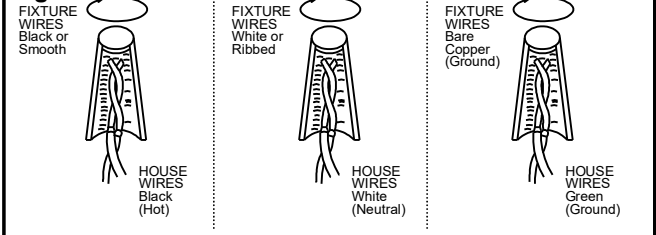
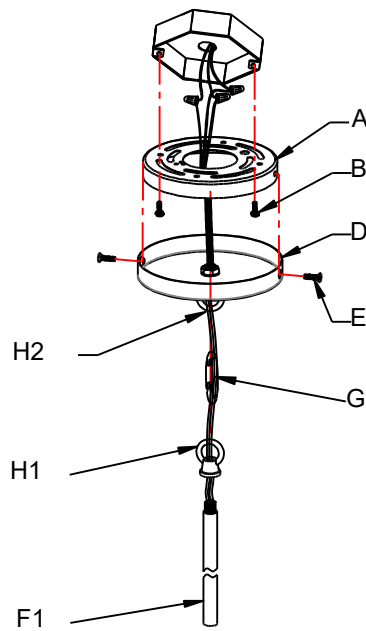
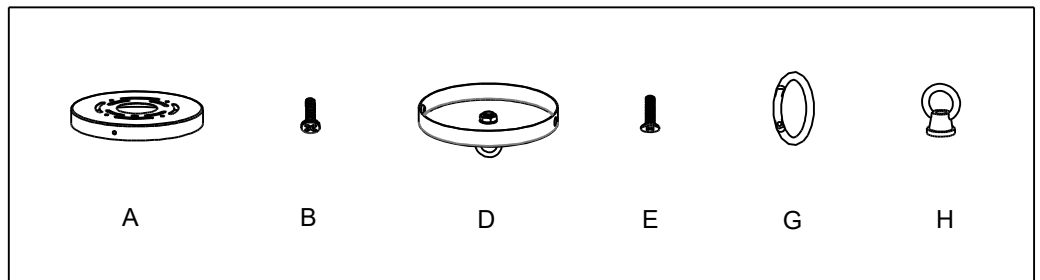


Fig.3



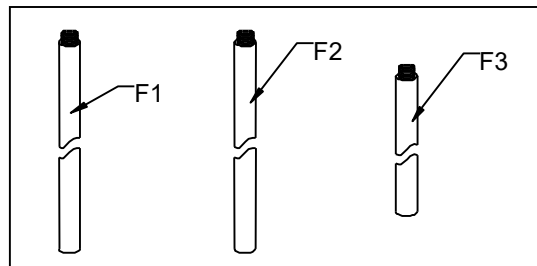
a. Hardware Bag:

- A. Mounting plate*1
- B. Mounting Screw*2
- D. Canopy *1
- E. Screw*2
- G. Quick Link*1
- H. Loop*2



b. Hardware Bag:

- F1. ROD 12"*1
- F2. ROD 12"*2
- F3. ROD 6"*1



INSTALLATION INSTRUCTIONS

Item#3926-613 (Convertible Lamps For Chain Pendant) (New. 2020/8/03)

READ AND SAVE THESE INSTRUCTIONS

WARNING! SHUT POWER OFF AT FUSE OR CIRCUIT BREAKER.

AVERTISSEMENT! COUPER LE COURANT AU NIVEAU DES FUSIBLES OU DU DISJONCTEUR.

PREPARATION (Fig. 4)

1. Shut of power at the fuse box or circuit breaker box and remove the old fixture including the mounting hardware.
2. Carefully unpack your new fixture and lay out all the parts in a clean area. Take care not to misplace any small parts necessary for installation.

ASSEMBLING THE FIXTURE AND HANGING THE FIXTURE (Fig.4)

3. Secure rod (J) onto the all thread (I) on the fixture body. Pass the wires carefully through rod (J) as you assemble.
4. Screw loop (H1) to the all thread on rod (J).
5. Connect the chain (N) to the loop (H1) by using the quick link (G).
6. By measuring, determine the correct number of links needed for the desired hanging height. Using the chain pliers, disconnect and discard the excess chain (N).
7. Carefully lace the fixture wires through the chain (N).
8. Open the other end of the chain (N) and attach it to the loop (H2). Then close the chain (N).
9. Carefully feed the fixture wires through the loop (H2) and canopy (D) and pull tight.
10. Attach the mounting plate (A) to the junction box, not included, with mounting screws (B) (Size: #8-32N*L0.5"). The side of the mounting plate (A) with "GND" marked on it and two convex points must face out.

CONNECTING THE WIRES (Fig. 2)

11. Connect the electrical wires as shown in fig 2, making sure that all wire connectors are secured. If your junction box has a ground wire (green or bare copper), connect the fixture's ground wire to it. Otherwise, connect the fixture's ground wire directly to the mounting plate (A) using the green screw provided.
12. Tuck the wire connectors neatly into the junction box and raise the canopy to the ceiling.

COMPLETING THE INSTALLATION (Fig. 4)

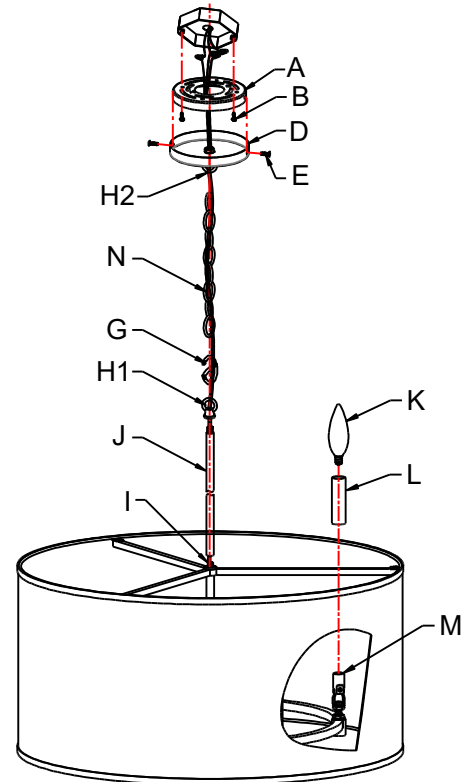
13. Align canopy (D) over the mounting plate (A) and secure with screws (E).
14. Place the candle covers (L) over the sockets (M).
15. Install (6) six candelabra base bulbs (K) up to 60 watts each or CFL or LED equivalent (not included) in accordance with the fixture specification—**DO NOT EXCEED THE MAXIMUM WATTAGE RATING! (NE PAS DEPASSER LA PUISSANCE NOMINALE MAXIMALE!)**

Your installation is now complete. Return power to the junction box and test the fixture.

Note: Illustration (Fig. 4) on this manual is for installation purposes only. It may or may not be identical to the fixture purchased.

Fig. 4

Set#A-021-118DH
-mounting plate
-Ground Screw
-Mounting Screw*2



Candle cover# [CCV21075P-613](#)

Chain# [HCH2072-613](#)

Fig. 2

