

# INSTALLATION INSTRUCTIONS FOR 4020-679-L

For Wall Mount Fixture (New. 01/18/2019)

**WARNING! SHUT POWER OFF AT FUSE OR CIRCUIT BREAKER.**

**AVERTISSEMENT ! COUPER LE COURANT AU NIVEAU DES FUSIBLES OU DO DISJONCTEUR.**

## PREPARATION (Fig.1)

1. Shut off power at the fuse box or circuit breaker box. If necessary, remove the old fixture and mounting hardware.
2. Carefully unpack your new fixture and lay out all the parts on a clean area. Take care not to lose any small parts necessary for installation.
3. Place metal ring (R) under back plate (C), and secure by using washers (P) and screws (Q). (Note: The side of the metal ring (R) with hole should face wall when installing.)
4. Secure mounting plate (A) to the outlet box using junction box screws (B) (Size: 8-32\*1/2"L). The side of the mounting plate marked "GND" must face out.

## CONNECTING THE WIRES (FIG. 2)

5. At this point, connect the electrical wires as shown in Fig. 2, making sure that all wire connectors are secured. If your outlet has a ground wire (green or bare copper), connect the fixtures ground wire to it. Otherwise, connect the fixture ground wire directly to the mounting plate (A) using the green screw provided. After wires are connected, tuck them carefully inside the junction box.
6. Align fixture back plate (C) onto mounting plate (A) and secure with screws (D).

## FINISHING THE INSTALLATION (FIG.1)

7. Align diffuser (F) followed by plastic gaskets (O), onto bracket (I) and secure with screws (G). The clear side of diffuser (F) should face down toward bracket (I).
8. Align cloth shade (H) onto back plate (C) and secure with screws (E).

**CAUTION/ATTENTION:** When handling the fixture, do not apply pressure to the LEDs. Hold the fixture by the base only.

**IMPORTANT:** Fixture should be installed by a qualified electrician to ensure proper wiring and installation.

## Replacing LED module (Fig. 3)

The LED module can be replaced by a qualified electrician without cutting of wire and without damage to any decorative element to which the fixture is attached. See installation steps for more details (Fig 3.)

- a. Shut off the power.
- b. Remove screws (E) and cloth shade (H) from back plate (C).
- c. Remove screws (D) and carefully separate the fixture from mounting back plate (A).
- d. Remove the wire connectors located inside the fixture back plate to disconnect the LED module.
- e. Remove the screws (J) and separate the heat sink (N) with LED from fixture body.
- f. Press the hole of the printed "L" quick connector on LED module with a pin to disconnected the black wire, and then disconnect the white wire from the printed "N" quick connector on LED module.
- g. Remove plastic screws (K) on heat sink (N). Carefully remove the LED module (M) from the heat sink (N).
- h. Reverse steps b. thru g. for installing the new LED module.

Note: The LED module should be provided by a specified supplier.

For better heat dissipation the LED module (M) should be applied with thermal grease when re-lamping.

Fig. 1

Set#A-021-290203  
-Mounting Plate  
-Ground Screw  
-Mounting Screw\*2

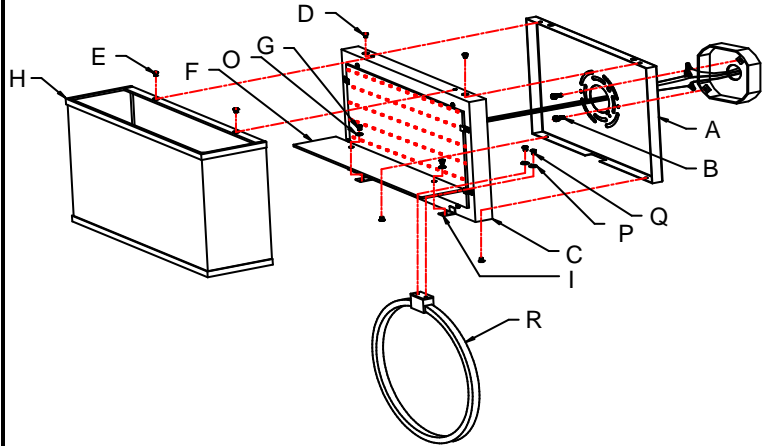


Fig. 2

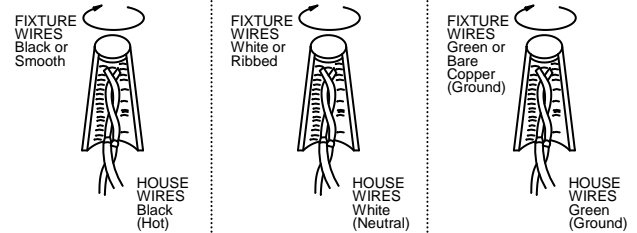
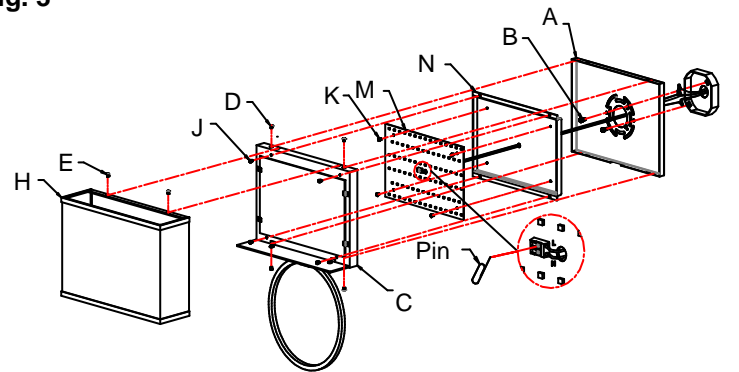


Fig. 3



**IMPORTANT:** Fixture should be installed by a qualified electrician to ensure proper wiring and installation.

Dimmable with ELV and/or LED compatible wall dimmer switches.



LA-3038E