

INSTALLATION INSTRUCTIONS

Item#4083-107 (New. 02/26/2019)

READ AND SAVE THESE INSTRUCTIONS

WARNING! SHUT POWER OFF AT FUSE OR CIRCUIT BREAKER.

AVERTISSEMENT! COUPER LE COURANT AU NIVEAU DES FUSIBLES OU DU DISJONCTEUR.

MOUNTING THE FIXTURE (Fig.1)

1. Shut off the power at the circuit breaker and remove the old fixture, including the mounting hardware.
2. Carefully unpack your new fixture and lay out all the parts on a clean area. Take care not to lose any small parts necessary for installation.
3. Position the mounting plate (B) on the wall, and mark the location of the two dry wall anchors (A). Pre-drill the holes for the drywall anchors (A) and insert the drywall anchors (A) into the wall.
4. Attach the mounting plate (B) to the junction box using the junction box screws (D) (**SIZE: #8-32N, L0.5"**). The side of the mounting plate marked "GND" must face out.
5. Place the wood screws (C) through the mounting plate (B) and into the drywall anchors (A) to secure mounting plate (B) to the wall.

CONNECTING THE WIRES (Fig. 2)

6. At this point, connect the electrical wires as shown in Fig. 2, making sure that all wire connectors are secured. If your outlet box has a ground wire (green or bare copper), connect the fixture's ground wire to it. Otherwise, connect the fixture's ground wire directly to the mounting plate (B) using the green screw provided. After the wires are connected, tuck them carefully inside the junction box.

FINISHING THE INSTALLATION (Fig.1)

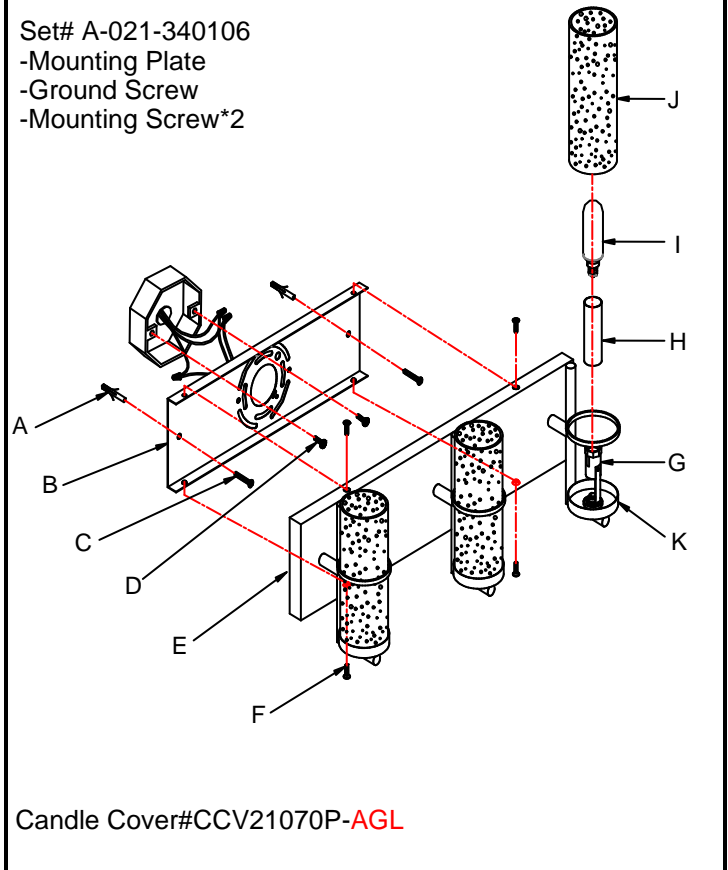
7. Place the fixture body (E) over the mounting plate (B), and secure with mounting screws (F).
8. Place the candle cover (H) over socket (G).
9. Install the bulb(s) (I) (not included) in accordance with the fixture's specifications. (**DO NOT EXCEED THE MAXIMUM WATTAGE RATING!**). (**NE PAS DEPASSER LA PUISSANCE NOMINALE MAXIMALE!**)
10. Place the glass shape (J) on the cup (K).

Your installation is now complete. Return power and test the fixture.

Fig. 1

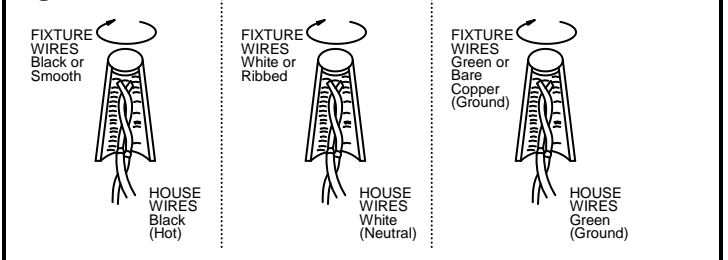
Set# A-021-340106

- Mounting Plate
- Ground Screw
- Mounting Screw*2



Candle Cover#CCV21070P-AGL

Fig. 2



Note: Illustration (Fig.1) on this manual is for installation purposes only. It may or may not be identical to the fixture purchased.