

INSTALLATION INSTRUCTIONS

For Model 4397

READ AND SAVE THESE INSTRUCTIONS

**WARNING! SHUT POWER OFF AT FUSE OR CIRCUIT BREAKER.
AVERTISSEMENT! COUPER LE COURANT AU NIVEAU DES FUSIBLES OU DU DISJONCTEUR.**

ASSEMBLING THE FIXTURE (Fig.1)

1. Shut off power at the circuit breaker and remove old fixture, including the crossbar.
2. Carefully unpack your new fixture and lay out all the parts on a clear area. Take care not to lose any small parts necessary for installation.
3. Install the nipple to the frame: Thread hex nut (M) onto nipple (L) then place Lock Washer (N) and Metal tray (O) onto nipple (L), thread nipple (L) to the fixture frame (E) and secure with hex nut (M).
4. Slide the glass shade (H), plastic washer (K), metal washer (J) over the nipple (L) and secure with the hex nut (I).
5. Align the holes on the arms (C) to the Fixture Frame (E) and secure with the screws (G).
6. Install the bulbs in accordance with the fixture's specification. (**DO NOT EXCEED THE MAXIMUM WATTAGE RATING!!**) (**NE PAS DEPASSER LA PUISSANCE NOMINALE MAXIMALE!**).

CONNECTING THE WIRES (Fig. 2)

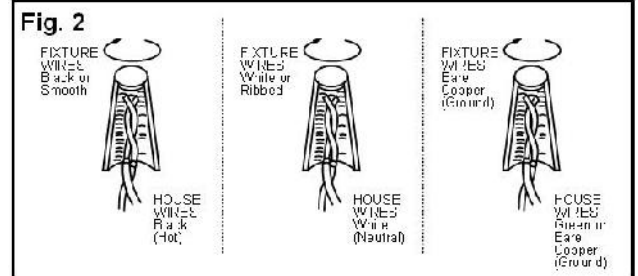
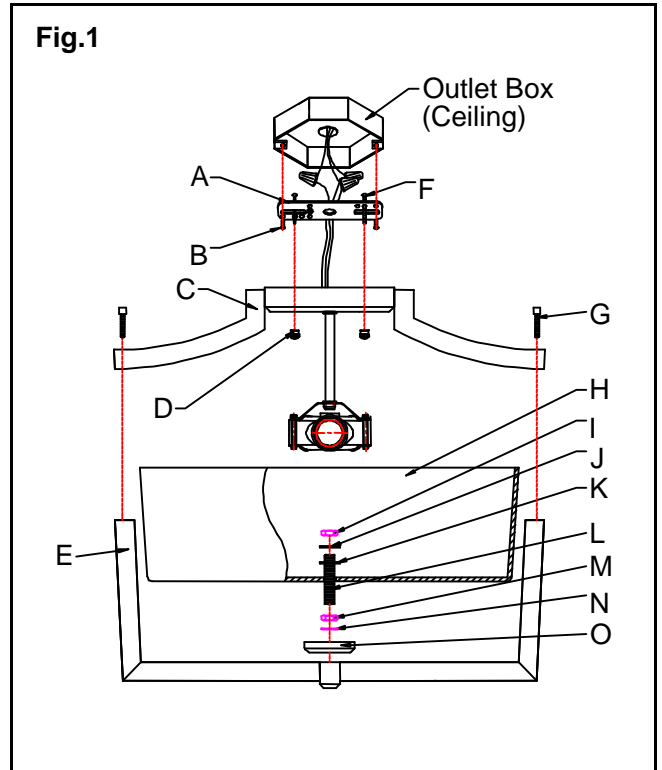
7. Thread the two mounting screws (F) about 1/4" into the pre-drilled holes in the crossbar (A) spaced the same distance apart as the holes in the backplate (C).
8. Attach the crossbar (A) to the outlet box using the two screws (B) from the outlet box. The side of the crossbar (A) marked "GND" must face out.
9. At this point, connect the electrical wires as follow, Connect the black wire from the fixture to the black house (hot) wire. Connect the white wire from the fixture to the white (neutral) house wire. Make sure all wire nuts are secured. You may wrap the connections with electrical tape. If your outlet has a ground wire (green or bare copper) connects fixture's ground wire to it. Otherwise connect fixture's ground wire directly to the crossbar using the green screw provided.

MOUNTING FIXTURE AND SHADE (Fig.1)

10. Holding the backplate (C) toward the Ceiling, thread the backplate (C) over two Mounting screws (F), then secure with ball nuts (D).

Your installation is now complete. Return power to the junction box and test the fixture.

Note: Illustration (Fig. 1) on this manual is for installation purposes only. It may or may not be identical to the fixture purchased.



LA-1933E