

INSTALLATION INSTRUCTIONS FOR FIXTURE #4698-107

**WARNING! SHUT POWER OFF AT FUSE OR CIRCUIT BREAKER.
AVERTISSEMENT! COUPER LE COURANT AU NIVEAU DES FUSIBLES OU DU DISJONCTEUR.**

ASSEMBLING THE FIXTURE (FIG. 1)

1. Shut off the power supply at the fuse box or circuit breaker. If necessary, remove the old fixture from ceiling including the mounting hardware.
2. Carefully remove the new fixture from the packaging and check that all parts are included as shown in the illustration.
3. Attach the mounting plate (A) to the outlet box using the outlet box screws (B). The side of the mounting plate (A) marked "GND" must face out.
4. Connect the electrical wires as shown in Fig. 2, making sure that all wire connectors are secured. If your outlet box has a ground wire (green or bare copper), connect the ground wire from the fixture to it. Otherwise, connect the fixture's ground wire directly to the mounting plate using the green screw provided.
5. After wires are connected, tuck them carefully into the ceiling junction box.
6. Attach the canopy (D) onto the mounting plate (A) by protruding 2 mounting screws (C) through the mounting holes of the canopy (D) and secure with the nuts (E).
7. Install the bulbs (bulbs not included) in accordance with the fixture's specifications. **(DO NOT EXCEED THE MAXIMUM WATTAGE RATING!) (NE PAS DEPASSER LA PUISSANCE NOMINALE MAXIMALE!).**
8. Insert the glass shades (F) into the cups (H).
9. Secure the metal shade (J) to the bars (I) with the finials (K).

Your installation is now complete. Return power to the outlet box and test the fixture.

Fig.1

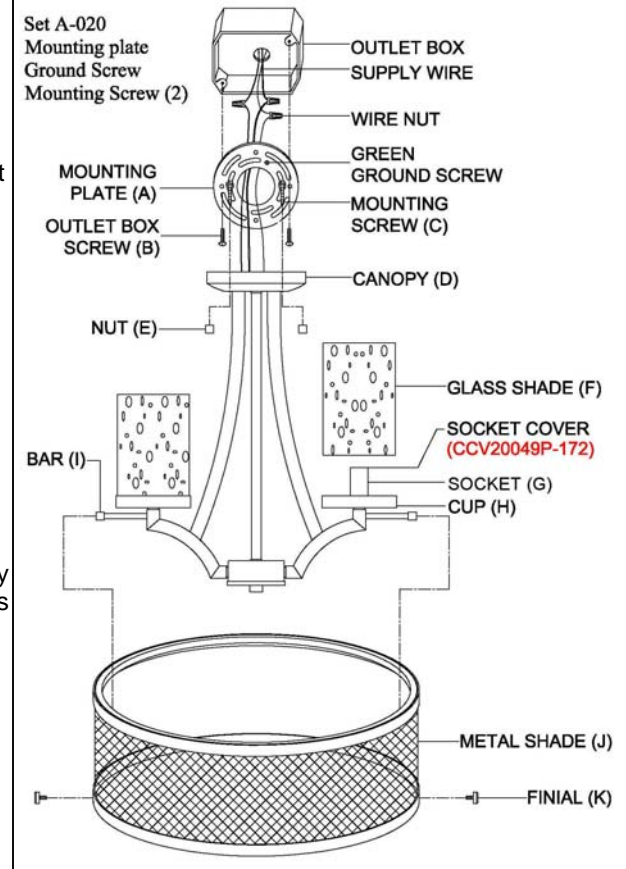


Fig.2

