

INSTALLATION INSTRUCTIONS

For item #4711-892

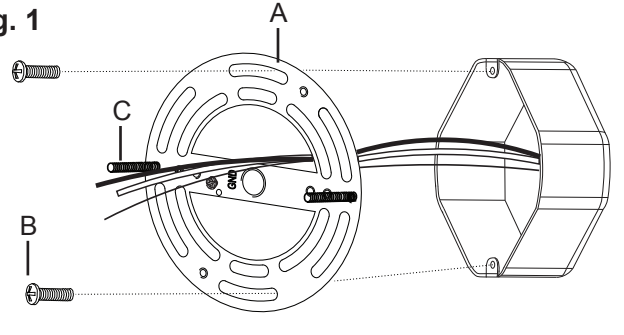
READ AND SAVE THESE INSTRUCTIONS

WARNING! SHUT POWER OFF AT FUSE OR CIRCUIT BREAKER.
AVERTISSEMENT! COUPER LE COURANT AU NIVEAU DES FUSIBLES OU DU DISJONCTEUR.

PREPARING FOR INSTALLATION (Fig. 1)

1. Shut off the power at the fuse box or circuit breaker. If necessary, remove old fixture, including mounting hardware.
2. Carefully remove the fixture from the carton and check that all parts are included as shown in the illustration.
3. With the ground screw facing out, thread mounting screws (C) into mounting bracket (A) holes. Screws can be adjusted if necessary.
4. Secure mounting bracket (A) to junction box with junction box screws (B) ensuring mounting screws (C) are level.

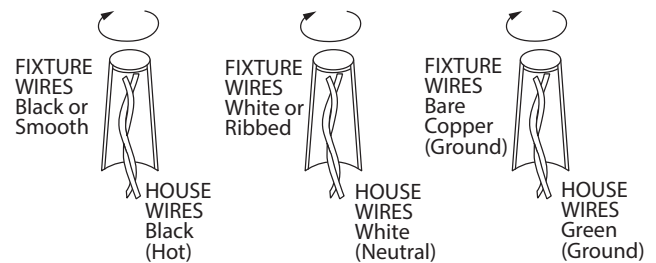
Fig. 1



CONNECTING THE WIRES (Fig. 2)

5. Connect the electrical wires as shown in Fig. 2. Ensure all wire connectors are secure. If your junction box has a ground wire (green or bare copper), connect the fixture's ground wire to it. Otherwise, connect the fixture's ground wire directly to the green ground screw on the mounting bracket (A).
6. Tuck wire connections neatly into junction box.

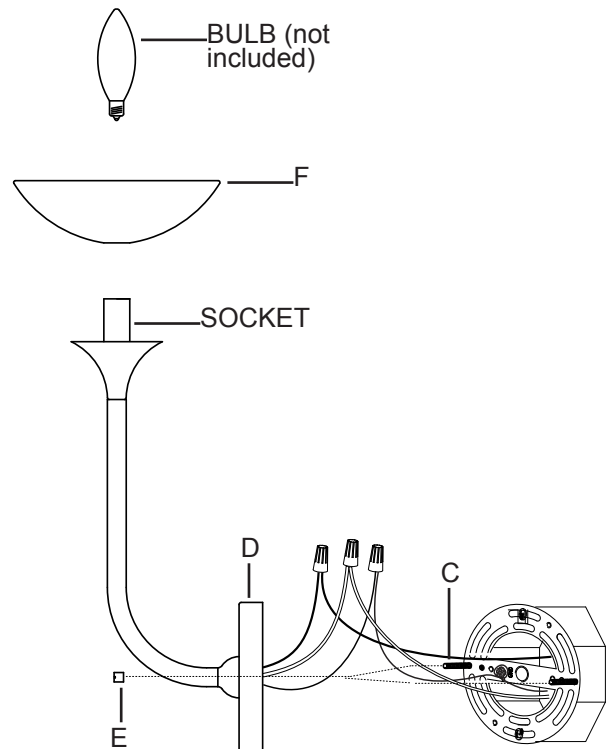
Fig. 2



INSTALLING THE FIXTURE (Fig. 3)

7. Place canopy (D) over mounting bracket (A) and secure with threaded caps (E).
8. Slide cup (F) over socket.
9. Install (1) one candelabra base bulb (I) up to 60 watts or CFL or LED equivalent (not included) in accordance with the fixture specification—DO NOT EXCEED THE MAXIMUM WATTAGE RATING! (NE PAS DEPASSER LA PUISSANCE NOMINALE MAXIMALE!)

Fig. 3



Your installation is now complete. Return power to the junction box and test the fixture.