

INSTALLATION INSTRUCTIONS

Item#5062-XXX (New. 11/08/2023)

READ AND SAVE THESE INSTRUCTIONS

WARNING! SHUT POWER OFF AT FUSE OR CIRCUIT BREAKER.

AVERTISSEMENT! COUPER LE COURANT AU NIVEAU DES FUSIBLES OU DU DISJONCTEUR.

MOUNTING THE FIXTURE (Fig.1)

1. Shut off power at the fuse box or circuit breaker box and remove old fixture including mounting hardware.
2. Carefully unpack your new fixture and lay out all parts in a clear area. Take care not to misplace any small parts necessary for installation.
3. Attach mounting plate (A) to junction box using junction box screws (B) (**SIZE: #8-32N, L0.5"**). The side of mounting plate marked "GND" must face out.

CONNECTING THE WIRES (Fig. 2)

4. Connect the electrical wires as shown in Fig. 2, making sure that all wire connectors are secured. If your outlet box has a ground wire (green or bare copper), connect fixture's ground wire to it. Otherwise, connect fixture's ground wire directly to mounting plate (A) using green screw provided.
5. After wires are connected, tuck them carefully inside junction box.

FINISHING THE INSTALLATION (Fig.1)

6. Place fixture body (C) over mounting plate (A), and secure with mounting screws (D).
7. Place glass shade (F) over socket (E) and secure with screw shell (G).
8. Install (2) two candelabra base bulbs (H) up to 60 watts each or CFL or LED equivalent (not included) in accordance with the fixture specification—**DO NOT EXCEED THE MAXIMUM WATTAGE RATING! (NE PAS DEPASSER LA PUISSANCE NOMINALE MAXIMALE!)**

Your installation is now complete. Return power and test the fixture.

Note: Illustration (Fig.1) on this manual is for installation purposes only. It may or may not be identical to the fixture purchased.

Fig. 1

Set#A-021-118DH

-Mounting Plate

-Ground Screw

-Junction Box Screw *2

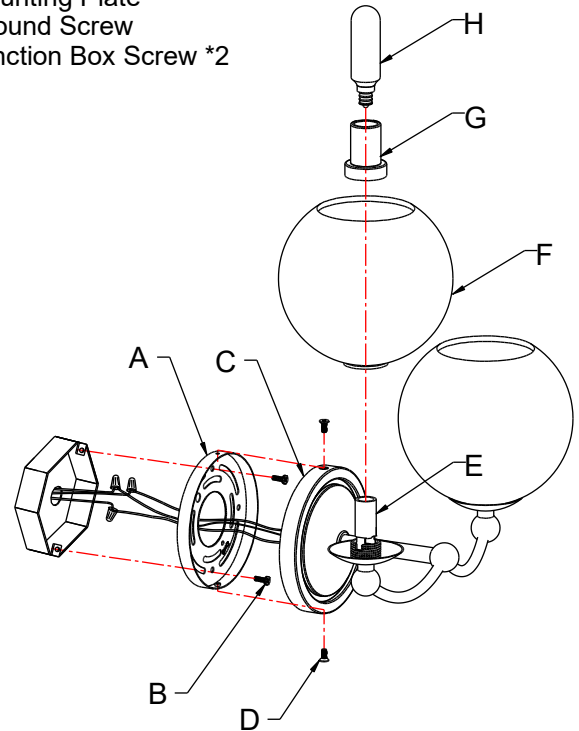


Fig. 2

