

INSTALLATION INSTRUCTIONS

Item#5065-XXX (New. 2023/11/08)

READ AND SAVE THESE INSTRUCTIONS

WARNING! SHUT POWER OFF AT FUSE OR CIRCUIT BREAKER.
VERTISSEMENT! COUPER LE COURANT AU NIVEAU DES FUSIBLES OU DU DISJONCTEUR.

ASSEMBLING THE FIXTURE (Fig.1)

1. Shut off the power at the fuse box or circuit breaker. If necessary, remove old fixture, including mounting hardware.
2. Carefully remove fixture from carton and check that all parts are included as shown in the illustration.
3. Adjust arms (C) to proper position. (Fig.1)
4. Attach fixture loop (A) by threading it onto all thread (B).
5. Connect arms (C) to fixture body (D).

HANGING THE FIXTURE (Fig. 2)

6. Thread all thread into ceiling loop until snug.
7. Thread other end of all thread into crossbar. Note: The length of all thread into crossbar may be adjusted if necessary.
8. Use lock washer and hex nut to secure all thread to crossbar.
9. Take crossbar assembly and mount it to outlet box (Not included) with mounting screws (Size: #8-32N*L0.5"). The side of crossbar marked with "GND" must face out.
10. Determine desired hanging height and use a pair of proper chain pliers to remove and discard excess chain.
11. Open one end of chain and attach it to fixture loop, then close chain. Slip the lock collar and canopy over chain and allow them to rest on fixture body. Open other end of chain and attach it to ceiling loop, then close chain.
12. Carefully lace fixture's wires through chain. Feed fixture wires through ceiling loop and crossbar assembly.

CONNECTING THE WIRE (Fig. 3)

13. Connect the electrical wire as shown in figure 3, making sure that all wire connectors are secured. If your outlet box has a ground wire (green or bare copper), connect fixture ground wire to it. Otherwise, connect fixture ground wire directly to crossbar using green screw provided.
14. Tuck wire connections neatly into outlet box. Raise canopy over ceiling loop and secure with lock collar.

FINISHING THE FIXTURE (Fig.1)

15. Place glass shade (F) and tube (G) over socket (E).
16. Install (4) four candelabra base bulbs (H) up to 60 watts each or CFL or LED equivalent (not included) in accordance with the fixture specification — DO NOT EXCEED THE MAXIMUM WATTAGE RATING! (NE PAS DEPASSER LA PUISSANCE NOMINALE MAXIMALE!).

Your installation is now complete. Return power to the outlet box and test the fixture.

Note: Illustration (Fig. 1) on this manual is for installation purposes only. It may or may not be identical to the fixture purchased.

Fig. 1

Set# A-010

- Crossbar
- Ground Screw
- Mounting Screw *2

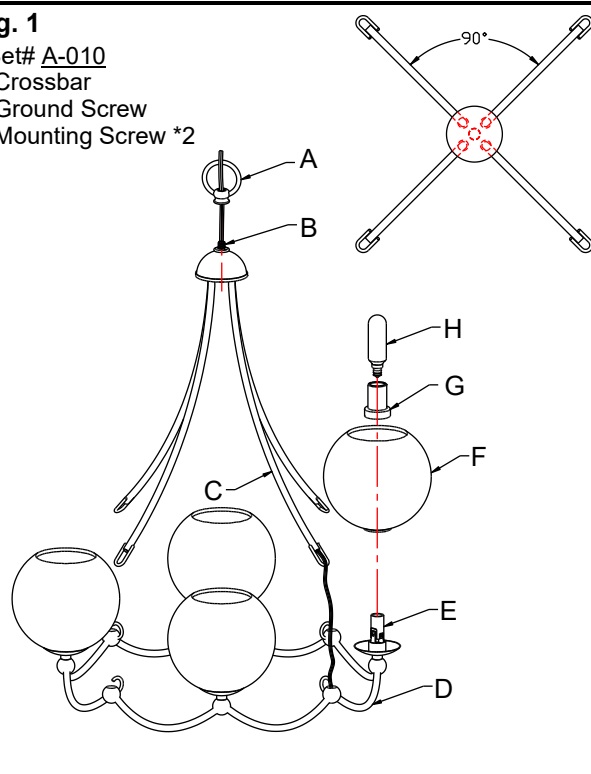


Fig. 2

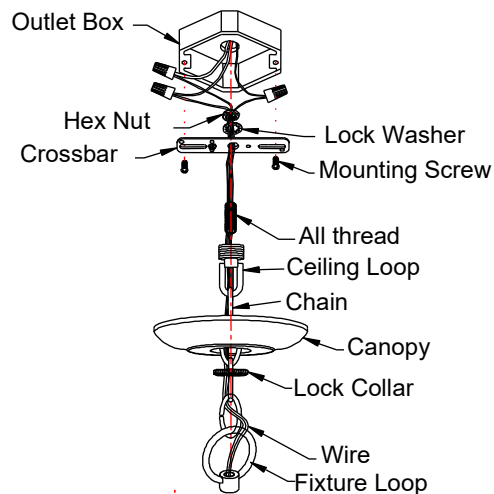
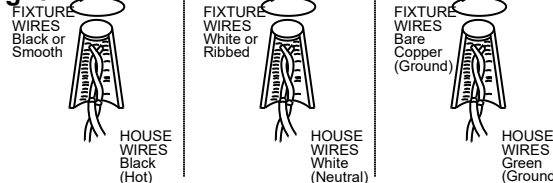


Fig. 3



Notice: It is important to use proper chain pliers (not included) To OPEN and CLOSE the chain included with this fixture. Do not open them with other tools that may twist or stress the chain links. It is important to use proper chain pliers like the ones shown in the diagram.



LA-3730E