

# INSTALLATION INSTRUCTIONS

Item#5455-856(New.06/04/2024)

## READ AND SAVE THESE INSTRUCTIONS

**WARNING! SHUT POWER OFF AT FUSE OR CIRCUIT BREAKER.**

**AVERTISSEMENT! COUPER LE COURANT AU NIVEAU DES FUSIBLES OU DU DISJONCTEUR.**

### PREPARATION (Fig. 1)

1. Shut off power at the fuse box or circuit breaker box and remove the old fixture including the mounting hardware.
2. Carefully unpack your new fixture and lay out all the parts in a clean area. Take care not to misplace any small parts necessary for installation.

### ASSEMBLING THE FIXTURE (Fig.1 & Fig.3)

3. Thread rod (J) to cluster (K) and the other end of rod (J) to metal frame (I).
4. Determine the desired hanging height. Thread one end of rods (H1 or H2) to metal frame (I) and thread loop (G) to the other end of rod (H1 or H2). Pass wires carefully through each rod during assembly.
5. Thread all thread into collar loop (C) until snug.
6. Thread the other end of all thread into crossbar (A) and secure with hexagon nut (O). Note: The length of all thread into crossbar may be adjusted if necessary.
7. Take crossbar (A) assembly and mount it to the junction box (Not included) using the junction box screws (B) (Size: #8-32N\*L1"). The side of crossbar (A) marked "GND" must face out.
8. Open quick link (F) and attach to fixture loop (G).
9. Slip lock collar (E) and canopy (D) over quick link (F) and allow them rest on fixture loop (G), then attach quick link (F) to collar loop (C) and close quick link (F).
10. Carefully feed fixture wires through fixture loop (G), quick link (F), lock collar (E), canopy (D), collar loop (C) and all thread and pull until tight.

### CONNECTING THE WIRES (Fig. 2)

11. Connect the electrical wires as shown in Fig.2, making sure that all wire connectors are secured. If junction box has a ground wire (green or bare copper), connect the fixture's ground wire to it. Otherwise, connect the fixture's ground wire directly to crossbar (A) using the green screw provided.
12. Tuck wire connections neatly into the junction box.

### COMPLETING THE INSTALLATION (Fig. 1)

13. Raise canopy (D) to junction box and secure with lock collar (E).
14. Place glass rod (M) with plastic washer (L) into the hole (N) of frame (I).
15. Install (6) six candelabra base bulbs up to 60 watts each or CFL or LED equivalent (not included) in accordance with the fixture specification—**DO NOT EXCEED THE MAXIMUM WATTAGE RATING! (NE PAS DEPASSER LA PUISSANCE NOMINALE MAXIMALE!)**

Your installation is now complete. Return power to the junction box and test the fixture.

**Note: Illustration (Fig. 1) on this manual is for installation purposes only. It may or may not be identical to the fixture purchased.**

Fig. 1

Set#A-010  
Mounting Plate x 1  
Ground Screw x 1  
Junction Box Screw x 2

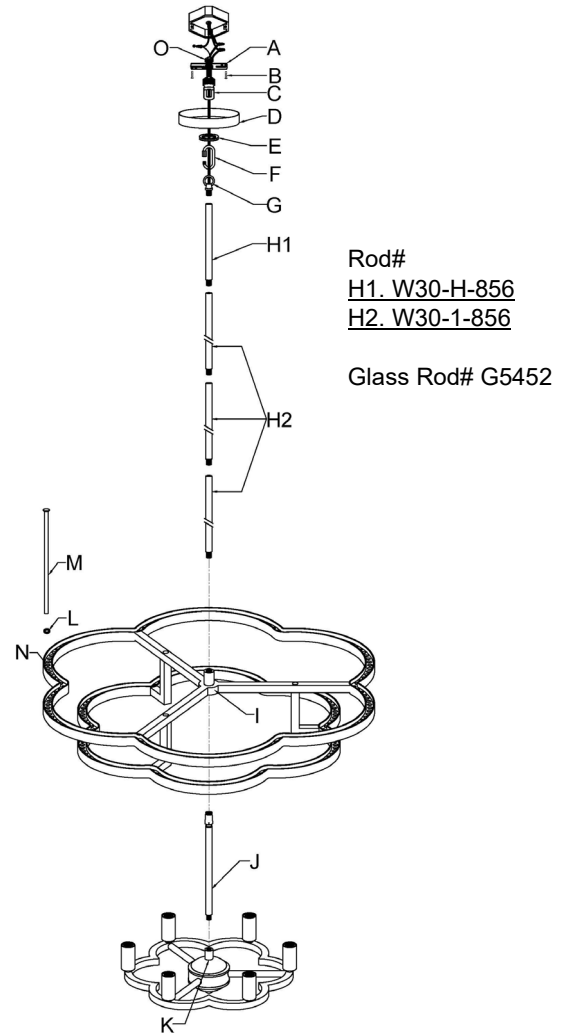
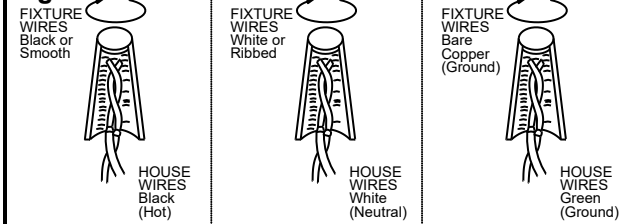
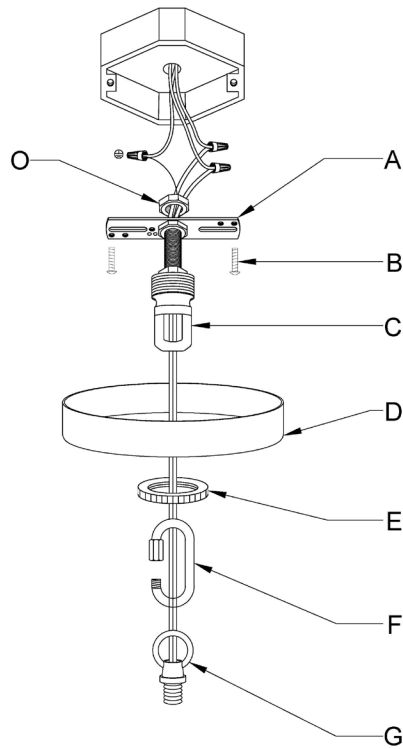


Fig. 2

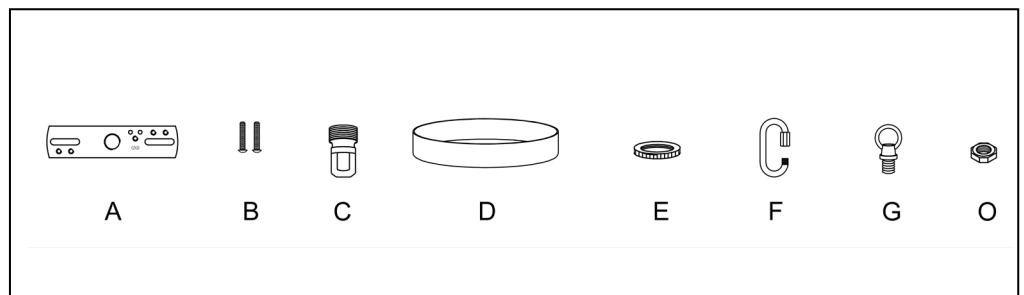


**Fig.3**



**a. Hardware Bag**

- A. Crossbar x 1pc
- B. Junction Box  
Screw x 2pcs
- C. Collar Loop x 1pc
- D. Canopy x 1pc
- E. Lock Collar x 1pc
- F. Quick Link x 1pc
- G. Fixture Loop x 1pc
- O. Hexagon Nut x 3pcs



**b. Hardware Bag**

- H1. Rod 6" x 1pc
- H2. Rod 12" x 3pcs

