

INSTALLATION INSTRUCTIONS

Item#5908-655 (New.12/28/2022)

READ AND SAVE THESE INSTRUCTIONS

WARNING! SHUT POWER OFF AT FUSE OR CIRCUIT BREAKER.

AVERTISSEMENT! COUPER LE COURANT AU NIVEAU DES FUSIBLES OU DU DISJONCTEUR.

PREPARATION (Fig. 1)

1. Shut off power at the fuse box or circuit breaker box and remove the old fixture including the mounting hardware.
2. Carefully unpack your new fixture and lay out all the parts in a clean area. Take care not to misplace any small parts necessary for installation.

ASSEMBLING THE FIXTURE (Fig.1&Fig.3)

3. Adjust the arms to proper position. Refer to illustration (K).
4. Thread rod (H3) to fixture body (L), determine the desired hanging height and thread rods (H1, H2) to rod (H3). Then screw loop (G) to rod (H1 or H2). Pass the wires carefully through each rod as you assembled.
5. Thread all thread into ceiling loop (C) until snug.
6. Thread the other end of the all thread into crossbar (A) and secure with hex nut (M). Note: The length of the all thread into crossbar may be adjusted if necessary.
7. Take crossbar assembly and mount it to junction box (not included) using the junction box screws (B) (Size: #8-32N*L1"). The side of crossbar marked "GND" must face out.
8. Slip lock collar (E) and canopy (D) over rods and allow them to rest on fixture body.
9. Open quick link (F) and attach it to canopy loop (C) and fixture loop (G), then close quick link (F).
10. Carefully feed fixture wires through ceiling loop (C) and all thread and pull until tight.

CONNECTING THE WIRES (Fig. 2)

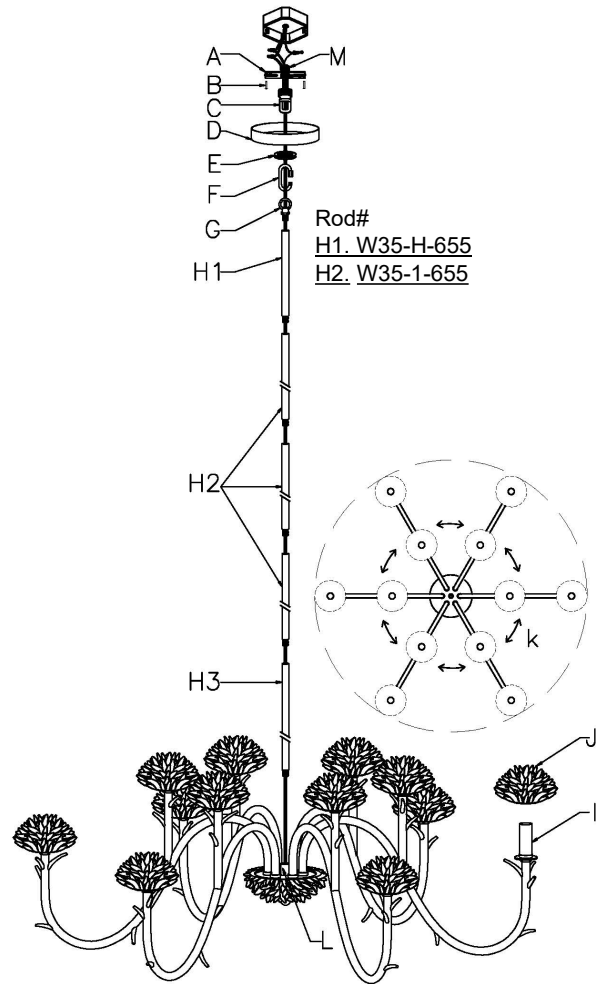
11. Connect the electrical wires as shown in Fig. 2 making sure that all wire connectors are secured. If your junction box has a ground wire (green or bare copper), connect the fixture's ground wire to it. Otherwise, connect the fixture's ground wire directly to the crossbar (A) using the green screw provided.
12. Tuck wire connections neatly into junction box. Raise canopy (D) to junction box and secure with lock collar (E).

COMPLETING THE INSTALLATION (Fig. 1)

13. Place "flower" (J) over candle covers (I).
14. Install (12) twelve candelabra base bulbs up to 60 watts each or CFL or LED equivalent (not included) in accordance with the fixture specification—**DO NOT EXCEED THE MAXIMUM WATTAGE RATING! (NE PAS DEPASSER LA PUISSANCE NOMINALE MAXIMALE!)**

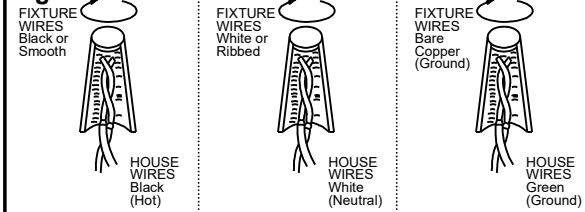
Fig. 1

Set#A-010-A
Crossbar x1pc
Ground Screw x1pc
Junction Box Screw x2pcs



Candle Cover# CCV20060P-655

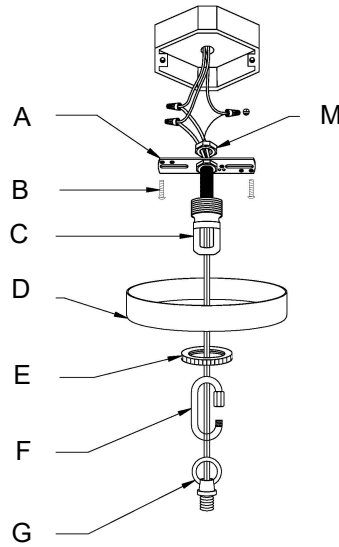
Fig. 2



Your installation is now complete. Return power to the junction box and test the fixture.

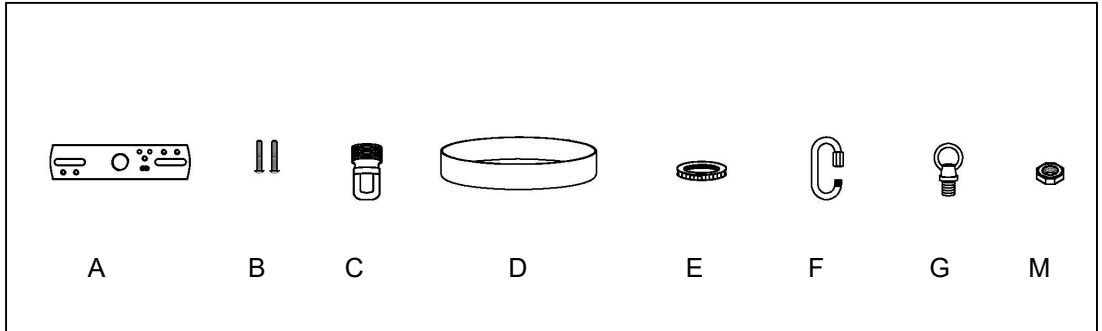
Note: Illustration (Fig. 1) on this manual is for installation purposes only. It may or may not be identical to the fixture purchased.

Fig.3



a. Hardware Bag

- A. Crossbar x 1pc
- B. Junction Box
Screw x 2pcs
- C. Ceiling Loop x 1pc
- D. Canopy x 1pc
- E. Lock Collar x 1pc
- F. Quick Link x 1pc
- G. Loop x 1pc
- M. Hex Nut x 3pcs



b. Hardware Bag

- H1. Rod 6" x 1pc
- H2. Rod 12" x 3pcs
- H3. Rod 13.4" x 1pc

