

INSTALLATION INSTRUCTIONS

Item# 6414-XX-L

WARNING! SHUT POWER OFF AT FUSE OR CIRCUIT BREAKER.

AVERTISSEMENT! COUPER LE COURANT AU NIVEAU DES FUSIBLES OU DO DISJONCTEUR

MOUNTING THE FIXTURE (Fig. 1)

1. Shut off power at the fuse box or circuit breaker box and remove the old fixture including the mounting hardware.
2. Carefully remove the new fixture from the carton and check that all parts are included as shown in the illustration.
3. Position mounting plate (A) on wall and mark the location of the two drywall anchors (B). Pre-drill holes for drywall anchors (B). Then insert drywall anchors (B) into wall.
4. Attach mounting plate (A) to junction box (Not included) using junction box screws (E) (Size: 8-32*1"L).
5. Place wood screws (C) through holes of mounting plate (A) and into drywall anchors (B) to secure mounting plate (A) to wall.

CONNECTION THE WIRES (Fig. 2)

6. Connect electrical wires as shown in Fig. 2 making sure that all wire connectors (D) are secured. If your junction box has a ground wire (green or bare copper), connect the fixture's ground wire to it. Otherwise, connect fixture's ground wire directly to mounting plate (A) using green screw provided.
7. Tuck wire connectors neatly into the junction box.

CONNECTION THE WIRES (Fig. 2)

8. Connect electrical wires as shown in Fig. 2 making sure that all wire connectors (D) are secured. If your junction box has a ground wire (green or bare copper), connect the fixture's ground wire to it. Otherwise, connect fixture's ground wire directly to mounting plate (A) using green screw provided.
9. Tuck wire connectors neatly into the junction box.

FINISHING THE INSTALLATION (Fig. 1)

10. There are five CCTs (2700K / 3000K / 3500K / 4000K / 5000K) of this fixture. Select the desired CCT by using switch inside canopy of fixture.
11. Align Fixture (F) onto mounting plate (A) and secure with mounting screws (G).

Your installation is now complete. Return power to the junction box and test the fixture.

CAUTION /ATTENTION: When handling the fixture, do not apply pressure to the LEDs. Hold the fixture by the base or fixture body (F) only.

Fig.1

Mounting Plate: A-010-246120

Junction Box Screws *2 Mounting Screws *2

Drywall Anchors *2 Wood Screws *2 Wire Nuts *3

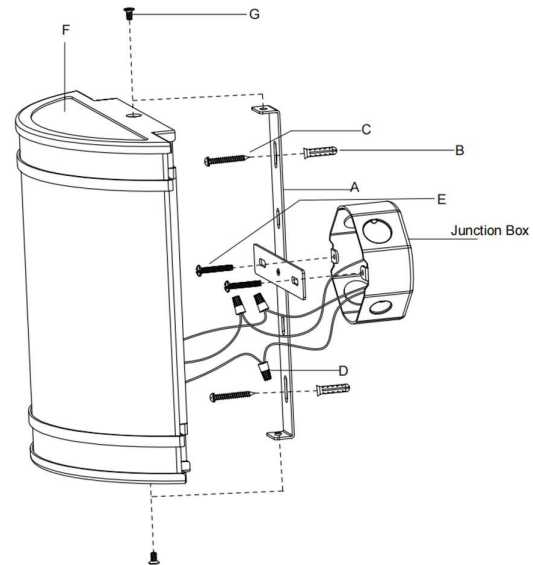


Fig.2

Fig.2 Wiring



Fixture Wires

Black or Smooth

Fixture Wires

White or Ribbed

Fixture Wires

Bare wire (Ground)

House Wires

Black (Hot)

House Wires

White (Neutral)

House Wires

Green or Bare Copper (Ground)

IMPORTANT: THE FIXTURE SHOULD BE INSTALLED BY A QUALIFIED ELECTRICIAN TO ENSURE PROPER WIRING AND INSTALLATION.

Dimming: Dimmable with ELV and/or LED compatible wall dimmer switches.

