

INSTALLATION INSTRUCTIONS

For Model 6872

READ AND SAVE THESE INSTRUCTIONS

WARNING! SHUT POWER OFF AT FUSE OR CIRCUIT BREAKER.
AVERTISSEMENT! COUPER LE COURANT AU NIVEAU DES FUSIBLES OU DU DISJONCTEUR.

MOUNTING THE BACKPLATE (Fig.1)

1. Shut off the power at the circuit breaker and remove old fixture, including the crossbar.
2. Carefully unpack your new fixture and lay out all the parts on a clear area. Take care not to lose any small parts necessary for installation.
3. Attach the circular strap (A) to the outlet box using two outlet Box Screws (B). The side of the circular strap marked "GND" must face out.
4. Thread the two mounting screws (C) about 1/4" into the pre-drilled holes in the circular strap (A) spaced the same distance apart as the holes in the backplate (F).

CONNECTING THE WIRES (Fig. 2)

1. At the point, connect the electrical wires as follow, Connect the black wire from the fixture to the black house (hot) wire. Connect the white wire from the fixture to the white (neutral) house wire. Make sure all wire nuts are secured. You may wrap the connections with electrical tape. If your outlet has a ground wire (green or bare copper) connects fixture's ground wire to it. Otherwise connect fixture's ground wire directly to the circular strap using the green screw provided.

MOUNTING FIXTURE AND SHADE

1. After the wires are connected tuck them carefully inside the outlet box as you place the backplate (F) over the circular strap (A), adjust the holes to fitting for the mounting screws (C), then secure the backplate (F) against the wall using Cap nuts (D).
2. Install glass shade (E) by referring to **fig 1**.
3. Install light bulbs in accordance with fixtures specification. (**DO NOT EXCEED MAXIMUM WATTAGE RATING!**) (**NE PAS DEPASSER LA PUISSANCE NOMINALE MAXIMALE!**).

Your installation is now complete. Return power to the junction box and test the fixture.

MIN 90°C SUPPLY CONDUCTORS.

Fig. 1

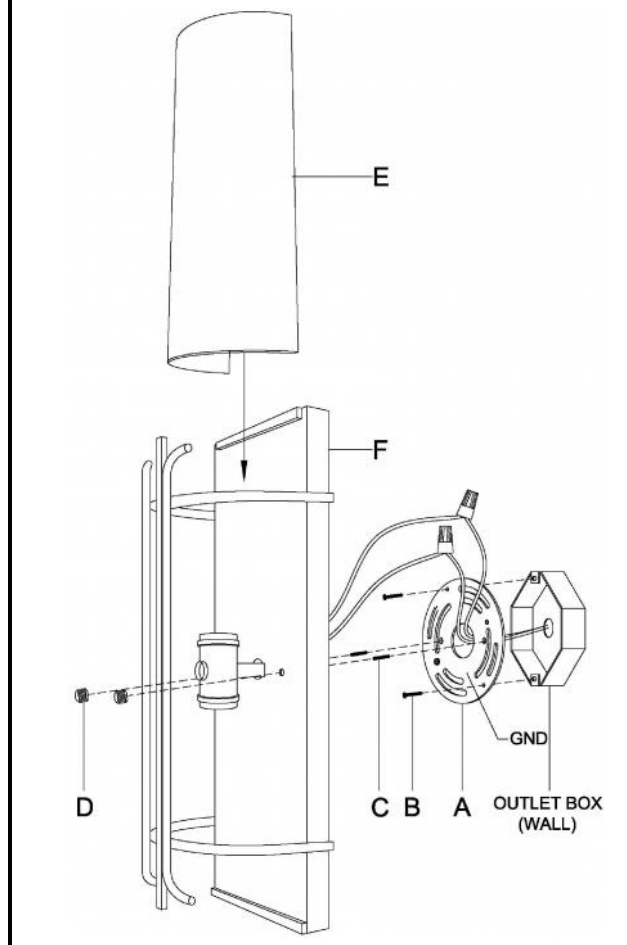


Fig. 2

