

INSTALLATION INSTRUCTIONS

Model# 71264-66

READ AND SAVE THESE INSTRUCTIONS

WARNING! SHUT POWER OFF AT FUSE OR CIRCUIT BREAKER.

AVERTISSEMENT! COUPER LE COURANT AU NIVEAU DES FUSIBLES OU DU DISJONCTEUR.

PREPARING FOR INSTALLATION (Fig. 1)

1. Shut off power at the fuse box or circuit breaker box and remove the old fixture including the mounting hardware.
2. Carefully unpack your new fixture and lay out all the parts in a clear area. Take care not to misplace any small parts necessary for installation.
3. Secure rod (O) to all thread (N) on the frame and pass the wires carefully through the rod.
4. Determine the desired hanging height and thread rods (P) to the all thread on rods (O). Secure the all thread (Q) on the canopy (G) to the last rod (P).
5. Screw the mounting screws (C) into mounting plate (B) ensuring they are spaced the same distance apart as the holes in the canopy (G).
6. Attach mounting plate (B) using outlet box screws (F) to the outlet box (A) (not supplied). The side of mounting plate marked "GND" must face out. (Fig 1)
7. The support cable (R) is provided to support the weight of the fixture while wiring. Align the fixture to mounting plate (B) and attach the end of support cable (R) into a slot located on mounting plate (B). Carefully allow the support cable (R) to support the weight of the fixture while wiring (Fig.1).

CONNECTING THE WIRES (Fig. 2)

8. Connect the electrical wires as shown in Fig 2. with connector (E), make sure that all wire connectors are secured. If your outlet box has a ground wire (green or bare copper), connect the fixture's ground wire to it. Otherwise, connect the fixture's ground wire directly to the mounting plate (B) using the green screw (D) provided. After the wires are connected, carefully tuck them inside the outlet box.

FINISHING THE INSTALLATION (Fig. 1)

9. Place the canopy (G) over mounting screws (C,2pcs) and secure to ceiling by using cap nuts (H,2pcs). (Fig 1)
10. To replace the glass, remove gaskets (M,8pcs) and loosening the screws (L,8pcs) to remove cover (K). Insert the new glass (J) into the fixture frame from the bottom. Secure the lower cover (K) by screwing screws (L,8pcs) until tight and reinstalling gaskets (M,8pcs) on the lower cover (K).
11. Install (4) four candelabra base bulbs (I) up to 40 Watts, or CFL or LED equivalent (not included), in accordance with the fixture specification. (DO NOT EXCEED THE MAXIMUM WATTAGE RATING) (NE PAS DEPASSER LA PUISSANCE NOMINALE MAXIMALE!)
12. This fixture is ETL listed for damp location applications.

Your installation is now complete. Return power to the outlet box and test the fixture.

Fig. 1

Mounting plate (1) (Part#A-020)
Ground screw (1)
Mounting screws (2)

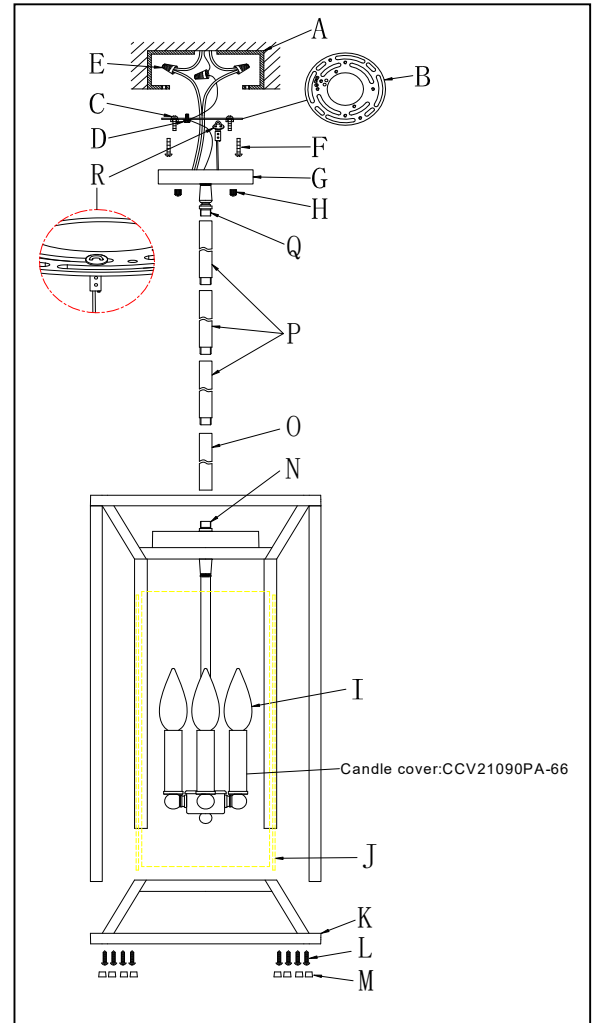
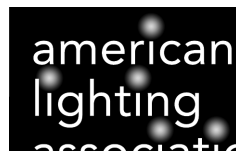
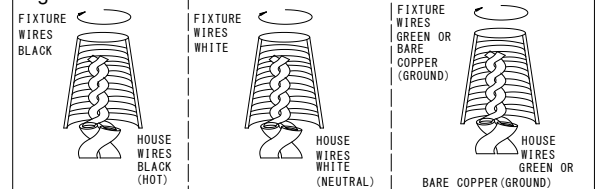


Fig.2



“CAUTION-RISK OF FIRE CONSULT A QUALIFIED ELECTRICIAN TO ENSURE CORRECT BRANCH CIRCUIT CONDUCTOR”

ATTENTION - RISQUE D'INCENDIE. CONSULTER UN ÉLECTRICIEN QUALIFIÉ POUR VOUS ASSURER QUE LES CONDUCTEURS DE LA DÉRIVATION SONT ADÉQUATS.