

INSTALLATION INSTRUCTIONS

Model# 71266-66

READ AND SAVE THESE INSTRUCTIONS

WARNING! SHUT POWER OFF AT FUSE OR CIRCUIT BREAKER.

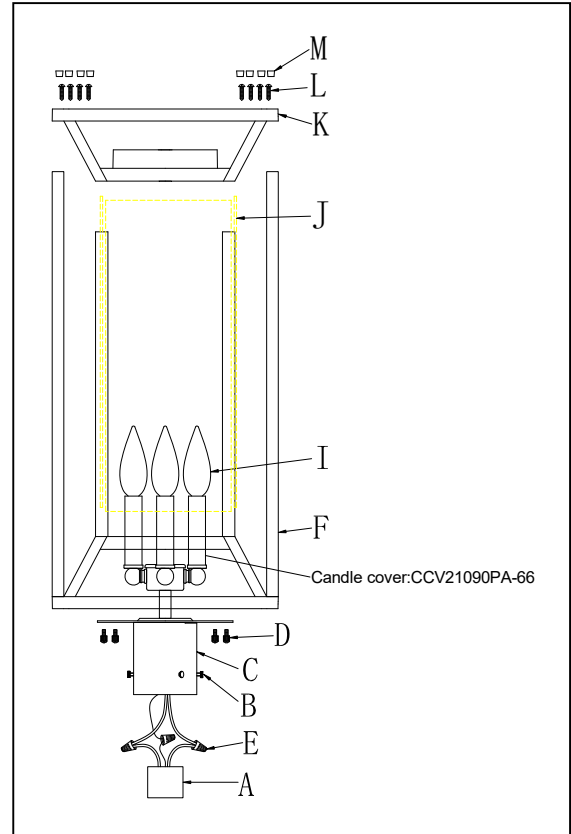
AVERTISSEMENT! COUPER LE COURANT AU NIVEAU DES FUSIBLES OU DU DISJONCTEUR.

PREPARING FOR INSTALLATION (Fig. 1)

1. Shut off power at the fuse box or circuit breaker box and remove the old fixture including the mounting hardware.
2. Carefully unpack your new fixture and lay out all the parts in a clear area. Take care not to misplace any small parts necessary for installation.
3. Separate the base cup (C) by loosening screws (D, 4pcs).
4. Connect electrical wires while supporting the lantern with connectors (E). If your post (A) (not supplied) has a ground wire (green or bare copper), connect the fixture ground wire to it. If not, consult your electrician for proper grounding. After wires are connected, tuck them carefully inside the base cup (C). Align the base cup (C) with post (A) and secure with mounting screws (B). (Fig.1&2)
5. Install (4) four candelabra base bulbs (I) up to 40 Watts, or CFL or LED equivalent (not included), in accordance with the fixture specification.
(DO NOT EXCEED THE MAXIMUM WATTAGE RATING) (NE PAS DEPASSER LA)
6. Attach the frame (F) onto the base cup (C) by using screws (D,4pcs).
7. To replace the glass, remove gaskets (M,8pcs) and loosening the screws (L,8pcs) to remove cover (K). Insert the new glass (J) into the fixture frame from the bottom. Secure the lower cover (K) by screwing screws (L,8pcs) until tight and reinstalling gaskets (M,8pcs) on the lower cover (K).
8. This fixture is ETL listed for wet location applications.

Your installation is now complete. Return power to the outlet box and test the fixture.

Fig. 1



“CAUTION-RISK OF FIRE CONSULT A QUALIFIED ELECTRICIAN TO ENSURE CORRECT BRANCH CIRCUIT CONDUCTOR”

ATTENTION – RISQUE D’INCENDIE, CONSULTER UN ÉLECTRICIEN QUALIFIÉ POUR VOUS ASSURER QUE LES CONDUCTEURS DE LA DÉRIVATION SONT ADÉQUATS.

