

INSTALLATION INSTRUCTIONS

Item#717-1-691-L/717-2-691-L (New. 2021-08-31)

READ AND SAVE THESE INSTRUCTIONS

WARNING! SHUT POWER OFF AT FUSE OR CIRCUIT BREAKER.

AVERTISSEMENT! COUPER LE COURANT AU NIVEAU DES FUSIBLES OU DU DISJONCTEUR. Page: 1/1

READ AND SAVE THESE INSTRUCTIONS

WARNING! SHUT POWER OFF AT FUSE OR CIRCUIT BREAKER.

AVERTISSEMENT! COUPER LE COURANT AU NIVEAU DES FUSIBLES OU DU DISJONCTEUR.

PREPARATION

1. Shut off power at the fuse box or circuit breaker box and remove the old fixture including the mounting hardware.
2. Carefully unpack your new fixture and lay out all the parts in a clean area. Take care not to misplace any small parts necessary for installation.

INSTALLATION&ASSEMBLY (Fig.1)

3. Thread mounting screws (C) into junction box (not included). The length of mounting screws (C) may be adjusted if necessary.
4. Loosen screws (E) to separate fixture pan (B) from shade holder (D).

CONNECTION THE WIRES (Fig.2)

5. Pull power supply wires out from junction box. Connect black supply wire to black fixture wire and secure with wire nuts (A). Connect white supply wire to white fixture wire and secure with wire nuts (A). Connect the fixture ground wire and supply ground wire together using wire nuts (A). Wrap all wire connections with electrical tape for a more secure connection.
6. Carefully tuck all the wires and wire connections into the outlet box.

COMPLETING THE INSTALLATION (Fig.1)

7. Place fixture pan (B) over the junction box and slide mounting screws (C) through keyhole slots. Rotate fixture pan (B) so mounting screws (C) slide into narrow ends of keyhole slots. Then tighten mounting screws (C) to secure fixture pan (B) onto ceiling.
8. Place shade holder (D) over the fixture pan (B) and tighten with screws (E).

Your installation is now complete. Return power and test the fixture.

Replacing LED module (Fig.3)

The LED module can be replaced by a qualified electrician without cutting the wires and without damaging the decorative element to which the fixture is attached. See installation steps for more details (Fig.3)

- a. Shut off the power.
- b. Loosen screws (E) and remove shade holder (D).
- c. Remove cover (H) by loosening screws (F), then loosen clip (M) on fixture pan (B) by unscrewing screws (N). Carefully remove led module from fixture pan (B).
- d. Reverse steps a - c for installing the new LED module.

Care and maintenance

Use a clean, soft cloth to wipe the surface of fixture.

DO NOT use any cleaners with chemicals, solvents or harsh abrasives.

Fig.1 Mounting screw*2

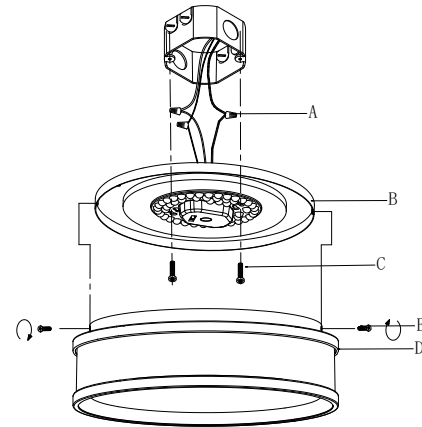


Fig.2

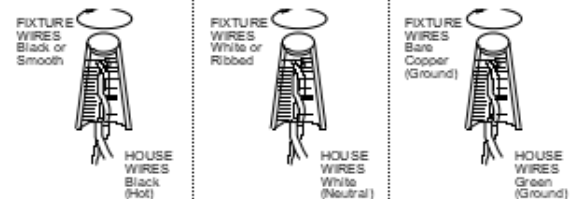
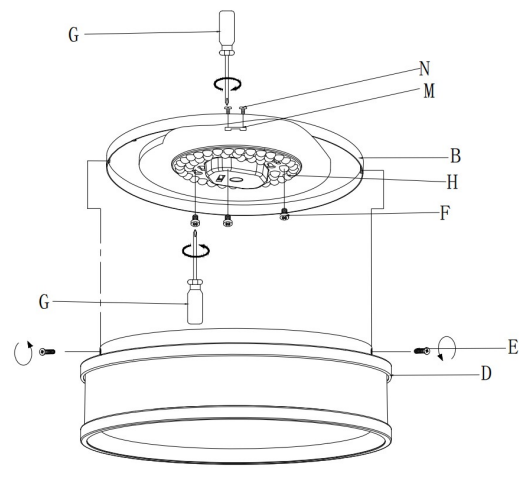


Fig.3



IMPORTANT: FIXTURE SHOULD BE INSTALLED BY A QUALIFIED ELECTRICIAN TO ENSURE PROPER WIRING AND INSTALLATION.

