

INSTALLATION INSTRUCTIONS

For item#72026-A179-PL (Rev. 09/27/2011)

READ AND SAVE THESE INSTRUCTIONS

WARNING! SHUT POWER OFF AT FUSE OR CIRCUIT BREAKER.

AVERTISSEMENT! COUPER LE COURANT AU NIVEAU DES FUSIBLES OU DU DISJONCTEUR.

PREPARATION (Fig.1)

1. Shut off power at the circuit breaker and remove old fixture including mounting hardware.
2. Carefully unpack your new fixture and lay out all the parts on a clear area. Take care not to misplace any small part necessary for installation.

CONNECTING THE WIRES (Fig.2)

3. Pull black, white and ground wires out of Post (H).
4. Next, connect electrical wires while supporting the lantern. If your outlet has a ground wire (green or bare copper), connect the fixture ground wire to it. If not, consult your electrician for proper grounding. After wires are connected, tuck them carefully inside the post. Align the lantern with post and secure with Sheet Screws (G). (Fig.1&2)

COMPLETING THE INSTALLATION

5. For installing bulbs or replacing bulbs at a later date, unscrew the Screws (D) and remove the Metal Frame (A).
6. Install the 1*13W PL bulb (C) (included) into socket (F) in accordance with the fixture's specification. **(DO NOT EXCEED THE SPECIFIED WATTAGE!) (NE PAS DEPASSER LA PUISSANCE NOMINALE MAXIMALE!).**
7. The ballast and lamp are combined, to replace or install, twist pins into socket as shown Fig 3.
8. After the installation, align the holes on the Metal Frame (A) with the tapped holes on the Fixture Body (E) and secure them with Screws (D).
9. This fixture is rated for a minimum start temperature of 0 degrees Fahrenheit (-17 degree Celsius).
10. This fixture is ETL Listed for Wet Location applications.

Your installation is now complete. Return power to the junction box and test the fixture.

Note: Illustration (Fig. 1) on this manual is for installation purposes only. It may or may not be identical to the fixture purchased.

The color correlated Temperature (CCT) for replacing the enclosed lamp is (2700K).

Caution: CFLs contain Mercury (Hg) Dispose of according to Local, State and Federal Law. (www.epa.gov/bulbrecycling).

Fig. 1

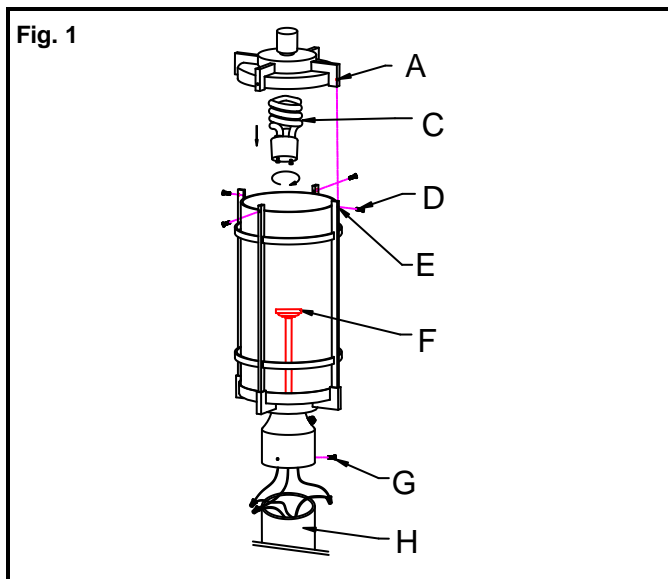


Fig. 2

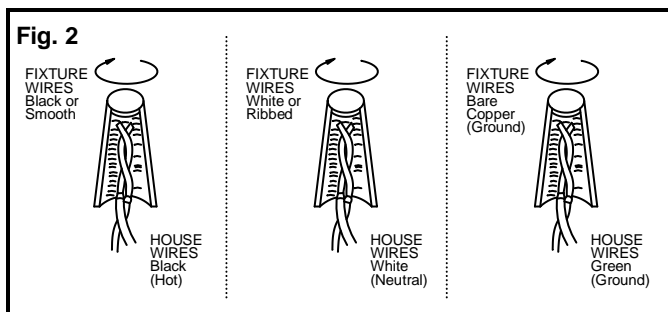
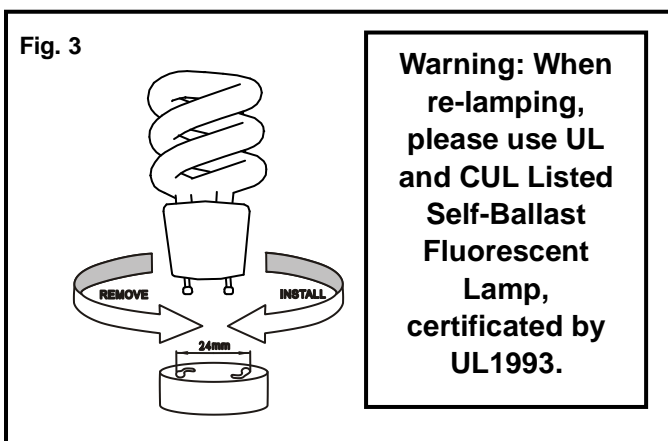


Fig. 3



LA-1164E-A



american
lighting
association