

# INSTALLATION INSTRUCTIONS

For Model 72174-189

READ AND SAVE THESE INSTRUCTIONS

**WARNING! SHUT POWER OFF AT FUSE OR CIRCUIT BREAKER.**

**AVERTISSEMENT! COUPER LE COURANT AU NIVEAU DES FUSIBLES OU DU DISJONCTEUR.**

## PREPARING FOR INSTALLATION (Fig.2)

1. Shut of the power at the circuit breaker and remove the old fixture including the mounting hardware.
2. Thread one end of nipple (C) into crossbar (B) until snug and secure with lock washer (G) and hex nut (A). Note the length of nipple (C) into crossbar (B) may be adjusted.
3. Attach the crossbar assembly to the ceiling outlet box (not included) with screws (C) (8-32\*1-1/4).

## HANGING THE FIXTURE (Fig.2)

4. Determine the desired hanging height and remove the excess chain with proper chain pliers to avoid damaging the finish.
5. Open one end of the chain and connect it to the fixture chain loop (I) and close the link. Thread the wire carefully through the chain links.
6. Place lock ring (J) followed by canopy (E) over the chain and allow them to carefully rest on the fixture body.
7. Open the other end of the chain (H) and attach it to chain loop (F) and close the link.
8. Thread the other end of nipple (D) into loop (F) until snug.
9. Feed the wires through loop (H), and nipple (D).

## CONNECTING THE WIRES (Fig.3)

10. Connect the electrical wires as shown in Fig. 3, making sure that all wire connectors are secured. If your outlet has a ground wire (green or bare copper), connect the fixture's ground wire to it. Otherwise, connect the fixture's ground wire directly to the crossbar using the green screw provided. Tuck the wire connections neatly into the junction box.

## FINISHING THE INSTALLATION (Fig. 1)

11. Raise the canopy (G) to the ceiling and secure with lock ring (J).
12. Separate lamp body (H) from top cover (D) by unscrewing the mounting screws (G) (Size: M4\*16). Align the glass (E) into body (H) and secure with glass clips (F).
13. Place candle sleeves (B) over sockets (C)
14. Install the 3\*60W light bulbs (A) in accordance with the fixtures specification. **(DO NOT EXCEED THE MAXIMUM WATTAGE RATING!)(NE PAS DEPASSER LA PUISSANCE NOMINALE MAXIMALE!)**
15. Re-attach body (H) to the top cover (D) with mounting screws (G) (Size: M4\*16).

Your installation is now complete. Return power to the junction box and test the fixture.

**Note: Illustration (Fig. 1) on this manual is for installation purposes only. It may or may not be identical to the fixture purchased.**

Notice: It is important to use proper chain pliers (not included)

To OPEN and CLOSE the chain included with this fixture. Do not open them with other tools that may twist or stress the chain links. It is important to use proper chain pliers like the ones shown in the diagram.



Fig.1

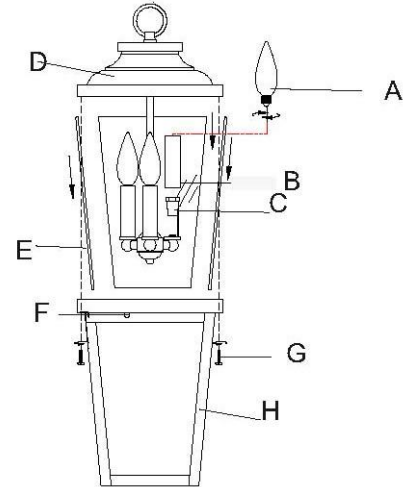


Fig.2

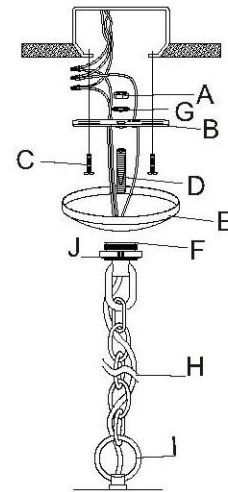


Fig.3

