

# INSTALLATION INSTRUCTIONS

Model # 72176/72177-189-L

READ AND SAVE THESE INSTRUCTIONS

**WARNING! SHUT POWER OFF AT FUSE OR CIRCUIT BREAKER.**  
**AVERTISSEMENT! COUPER LE COURANT AU NIVEAU DES FUSIBLES OU DU DISJONCTEUR.**

## PREPARING FOR INSTALLATION (Fig. 1)

1. Shut off power at the circuit breaker and remove the old fixture including the mounting hardware.
2. Carefully unpack your new fixture and lay out all the parts in a clear area. Take care not to misplace any small parts necessary for installation.

## CONNECTING THE WIRES (Fig. 2)

3. While supporting the fixture, connect the electrical wires as shown in Fig. 2, making sure that all wire connectors (H) are secured. If your post has a ground wire (green or bare copper), connect the fixture ground wire to it. If not, consult your electrician for proper grounding. After wires are connected, tuck them carefully inside the post cup (I)

## FINISHING THE INSTALLATION (Fig. 1)

4. Align the glass (B) into fixture body (E) and secure with glass clips (C), put the glass (J) to cover the LED module (G).
5. Attach the top cover (A) to the fixture body (E) with mounting screws (D).
6. Attach the post (F) to the post cup (I) with the set screws (M).
7. Bulb information: (1 x AC LED 13W included.)

**DO NOT EXCEED THE MAXIMUM WATTAGE RATING!**  
**(NE PAS DEPASSER LA PUISSANCE NOMINALE MAXIMALE!)**

## Replacing LED module (Fig. 3)

The LED module can be replaced by a qualified electrician and shut off the power at the circuit breaker and remove fixture from the outlet box without cutting of wire and without damage to any decorative element to which the fixture is attached. See installation steps for more details (Fig 3.)

- a. Carefully disconnect the wire covers (L). Remove the LED module (G) from the nipple (K).
- b. Carefully re-lamp the LED module (G), reverse steps a for installing the new LED module (G). Note: The LED module should be provided by a specified supplier.

Your installation is now complete. Return power to outlet box and test the fixture.

**IMPORTANT: FIXTURE SHOULD BE INSTALLED BY A QUALIFIED ELECTRICIAN TO ENSURE PROPER WIRING AND INSTALLATION.**

Fig. 1

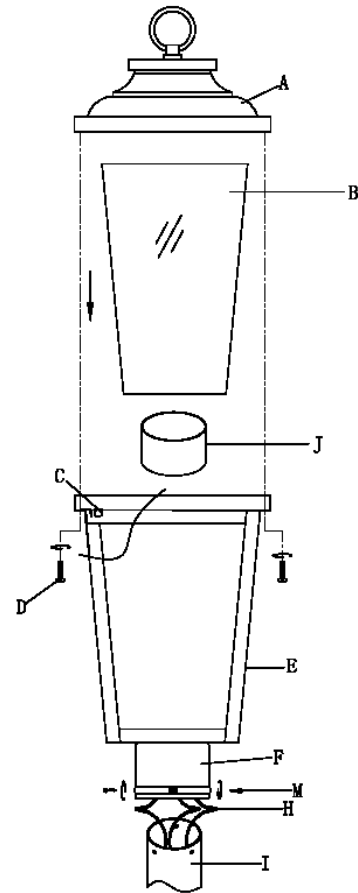


Fig. 2

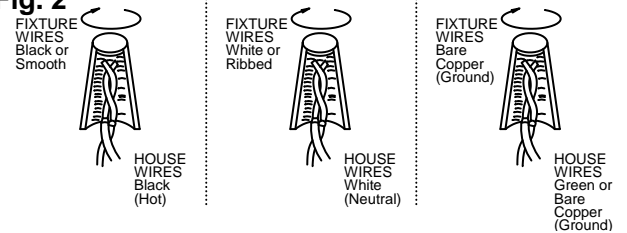


Fig.3

