

# INSTALLATION INSTRUCTIONS

Model # 72372

READ AND SAVE THESE INSTRUCTIONS

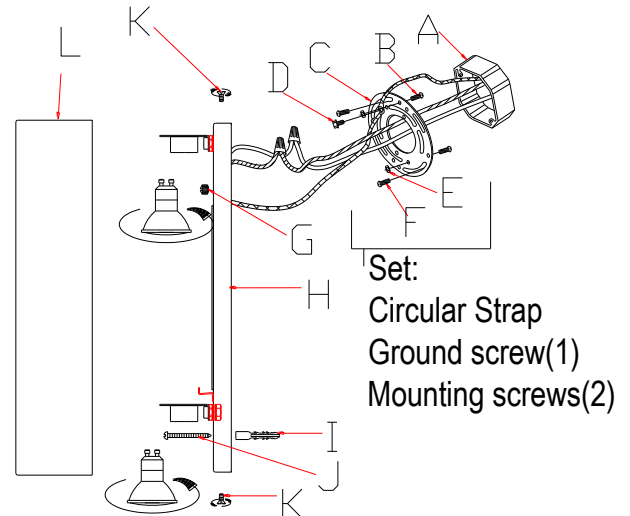
**WARNING! SHUT POWER OFF AT FUSE OR CIRCUIT BREAKER.**

**AVERTISSEMENT! COUPER LE COURANT AU NIVEAU DES FUSIBLES OU DU DISJONCTEUR.**

## PREPARING FOR INSTALLATION (Fig. 1)

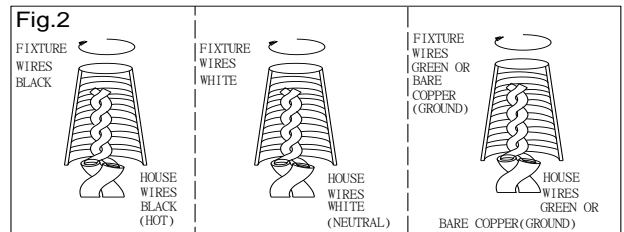
1. Shut off power at the circuit breaker (avertissement! couper le courant au niveau des fusibles ou du disjoncteur) and remove the old fixture including mounting hardware.
2. Carefully unpack your new fixture and lay out all the parts in a clear area. Take care not to misplace any small parts necessary for installation.
3. Unscrew the screws (K), and separate the back plate (H) from cage (L) and remove cap nuts (G).
4. Thread the two studs (B) into the pre-drilled holes in the circular strap (C) (Part#A-020) spaced the same distance apart as the holes in the back plate (H), then tighten with the hex nut (E). Note: The length of studs (B) into circular strap (C) may be adjusted if necessary.
5. Align back plate (H) to the outlet box (A) and mark the location of the wall anchors (I). Insert the wall anchors.
6. Attach circular strap (C) (Part#A-020) using mounting screws (F) (Part#8/32"1"L) to the outlet box (A) (Fig 1).

Fig. 1



## CONNECTION THE WIRES (Fig. 2)

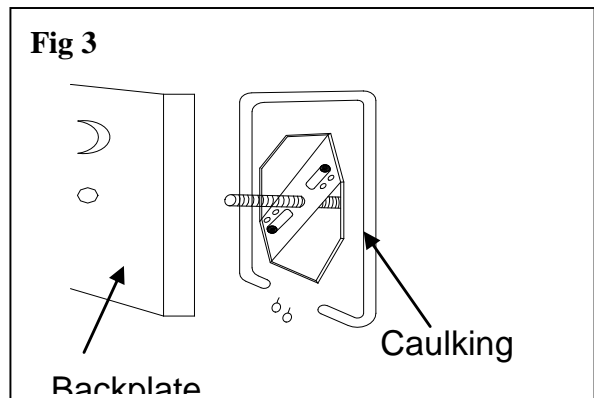
7. Connect the electrical wires as shown in Fig.2. Making sure that all wire connectors are secured. If your outlet box has a ground wire (green or bare copper), connect the fixture's ground wire to it. Otherwise, connect the fixture's ground wire directly to the circular strap using the green screw (D) (Part#8/32"1/3"L) provided.



## FINISHING THE INSTALLATION (Fig.1)

8. Align back plate (H) onto studs (B) and with cap nuts (G) and screws (J) into anchors (I). (Fig 1)
9. Install 4\*35W / GU10 bulbs (five bulbs included) in accordance with the fixture specification.—**DO NOT EXCEED THE MAXIMUM WATTAGE RATING! (NE PAS DEPASSER LA PUISSANCE NOMINALE MAXIMALE!)**
10. Align cage (L) to back plate (H) and secure with screws (K) (top and bottom).
11. To prevent moisture from entering the outlet box (A) and causing a short, use clear silicone Sealant to outline the outside of fixture back plate (H) where it meets the wall leaving a space at bottom to allow moisture a means to escape. (Fig 3)

Your installation is now complete. Return power to the outlet box and test the fixture.



**IMPORTANT: FIXTURE SHOULD BE INSTALLED BY A QUALIFIED ELECTRICIAN TO ENSURE PROPER WIRING AND INSTALLATION.**